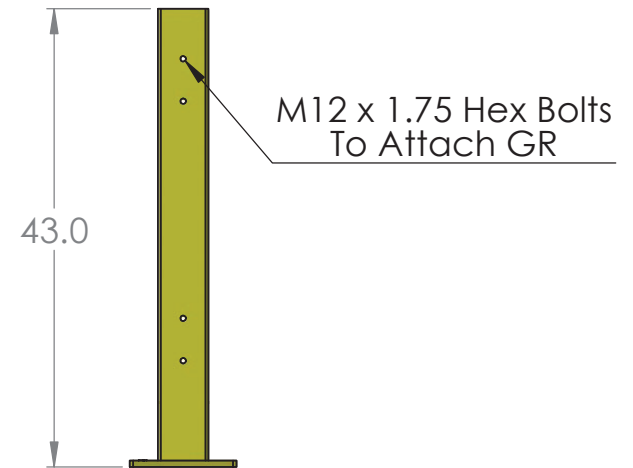
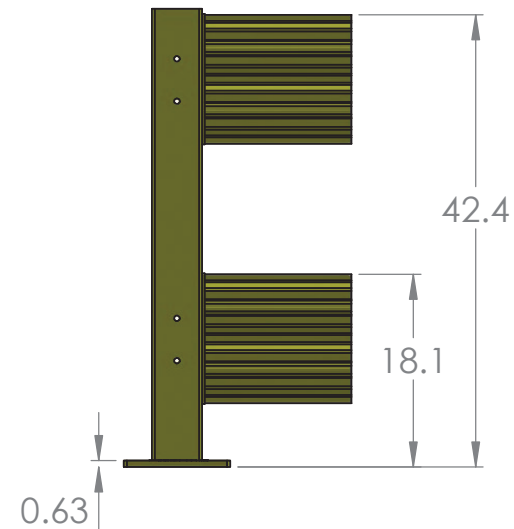
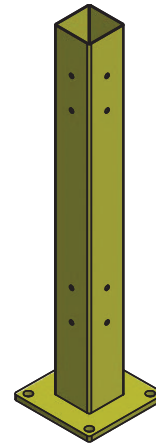
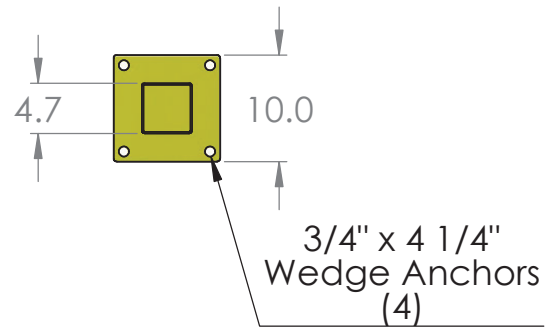


RR-CS-2 - Double Rail Column



TITLE: Double Rail Column		
SIZE A	DWG. NO. RR-CS-2	REV A
SCALE: NTS	WEIGHT: 51 LBS	SHEET 1 OF 1

