



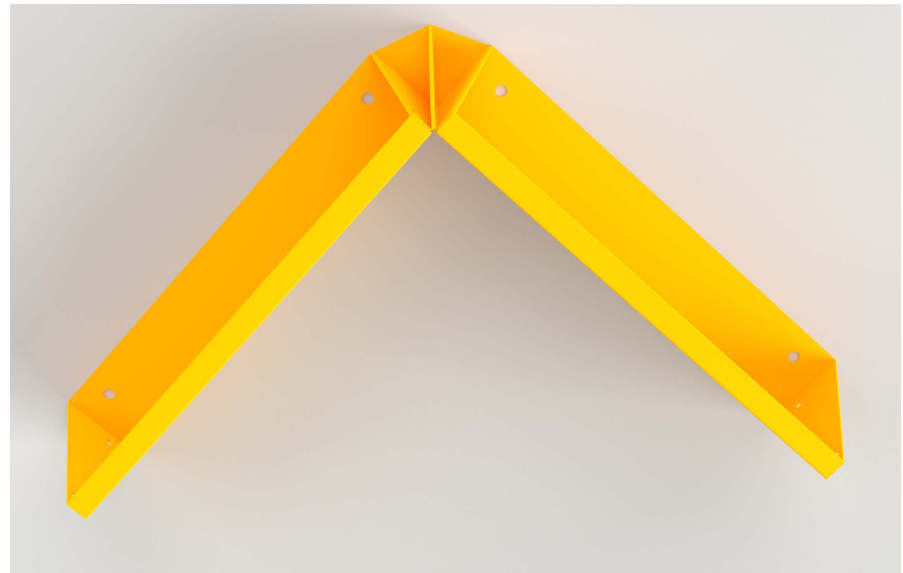
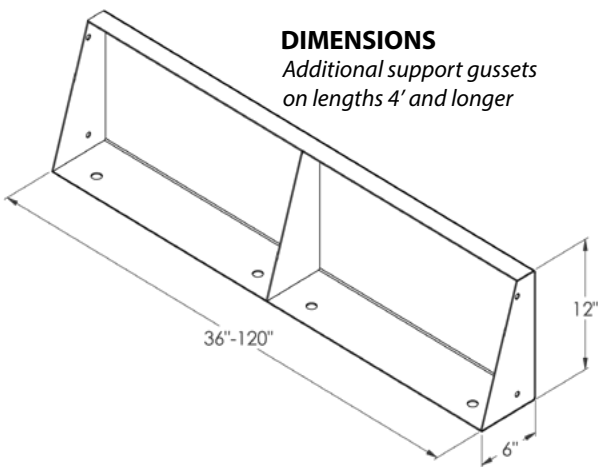
Floor Mounted Barriers

- Constructed of sturdy 11 gauge steel, formed into 12" tall x 6" deep barriers
- Side gussets on all units and support gussets on lengths 4' to 10'
- Anchor bolts and connecting hardware included for each section
- Powder-coated safety yellow for high visibility



Areas for install

Conveyor systems, machinery, production lines, self-standing equipment, mezzanines, and rack storage. Also works well as a pallet backstop.



FLOOR MOUNTED BARRIER OPTIONS



Outside Corner Adapter



Inside Corner Adapter

Model Number	Description	Overall Length (in.)	No. of Gussets	Weight (lbs)
RR-CG-3	3' Long Barrier	36"	2	27
RR-CG-4	4' Long Barrier	48"	3	37
RR-CG-5	5' Long Barrier	60"	4	46
RR-CG-6	6' Long Barrier	72"	5	55
RR-CG-8	8' Long Barrier	96"	5	71
RR-CG-10	10' Long Barrier	120"	6	89
RR-CG-OC	45° Outside Corner Adapter	n/a	n/a	8
RR-CG-IC	45° Inside Corner Adapter	n/a	n/a	5

**suggested 3/4" anchoring wedge bolts and connecting hardware included.*