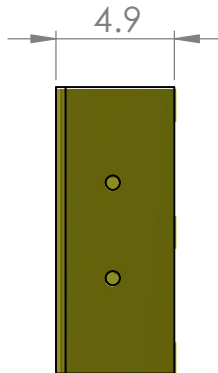
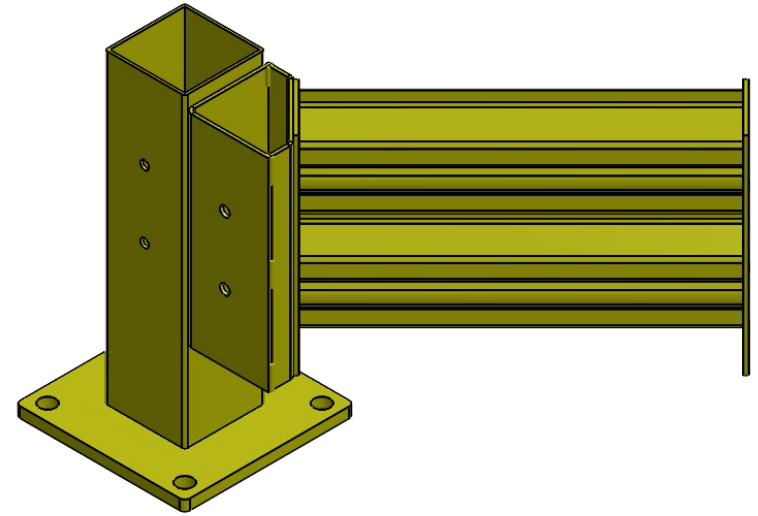
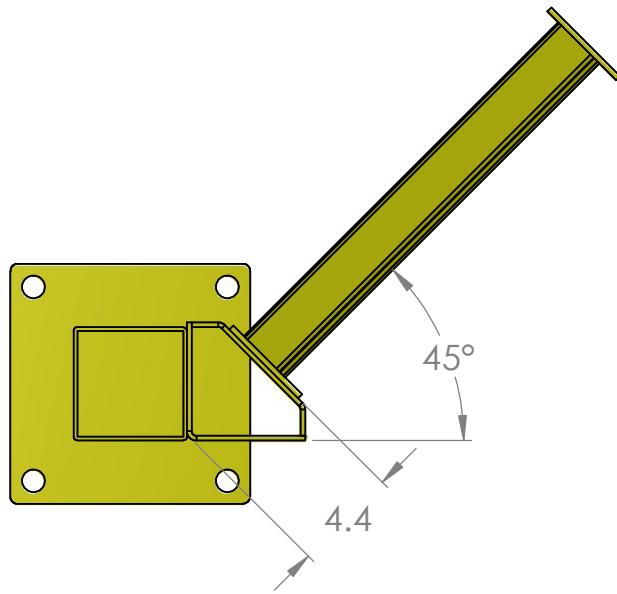


# RR-AA-45 - 45 Degree Angle Adapter



TITLE:

45° Angle Adapter

SIZE  
**A**

DWG. NO.  
RR-AA-45

REV  
**A**

SCALE: NTS

WEIGHT: 11 LBS

SHEET 1 OF 1

[quotes@rhinorails.com](mailto:quotes@rhinorails.com) | [specs.rhinorails.com](http://specs.rhinorails.com) | 866-874-3385

