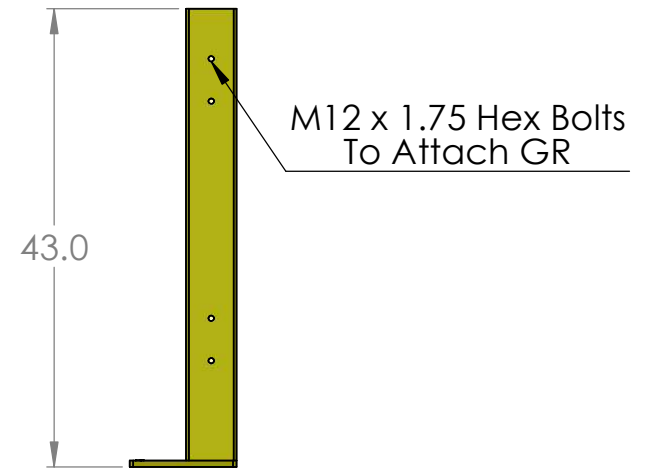
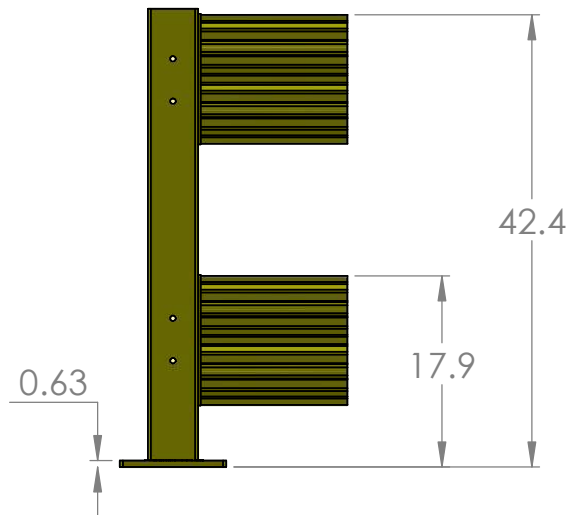
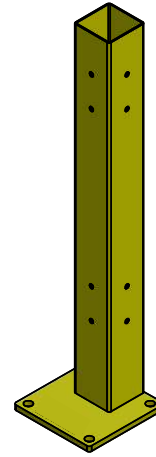
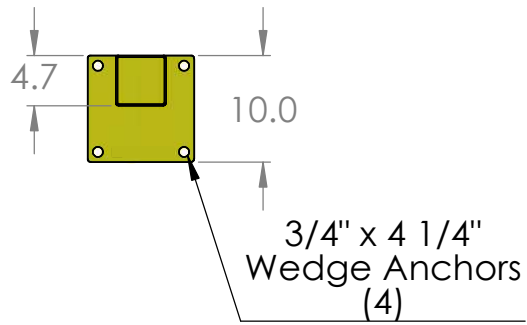


# RR-CSO-2 - Double Rail Offset Column



TITLE:  
Double Rail  
Offset Column

SIZE <b>A</b>	DWG. NO. RR-CSO-2	REV <b>A</b>
------------------	----------------------	-----------------

SCALE: NTS	WEIGHT: 51 LBS	SHEET 1 OF 1
------------	----------------	--------------

[quotes@rhinorails.com](mailto:quotes@rhinorails.com) | [specs.rhinorails.com](http://specs.rhinorails.com) | 866-874-3385

