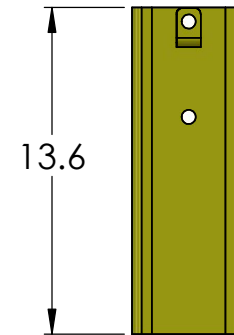
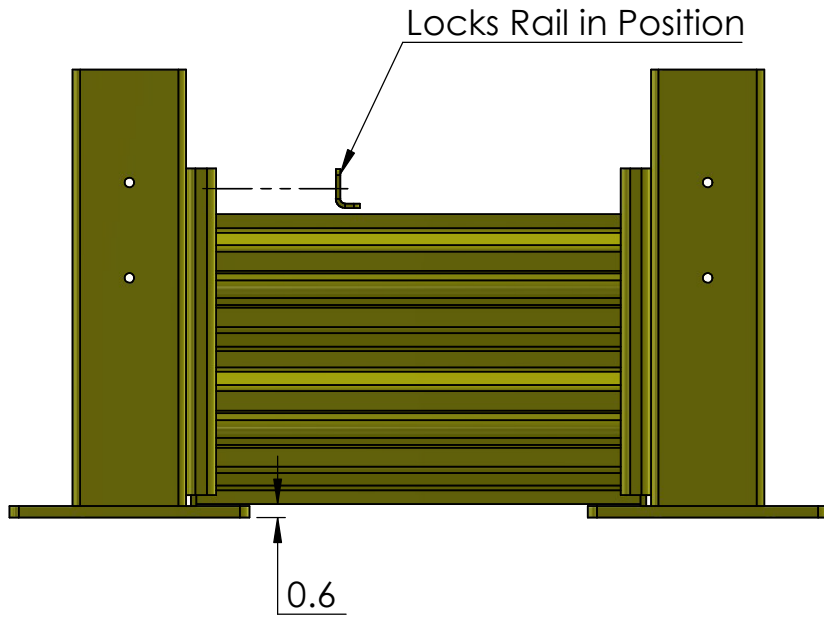
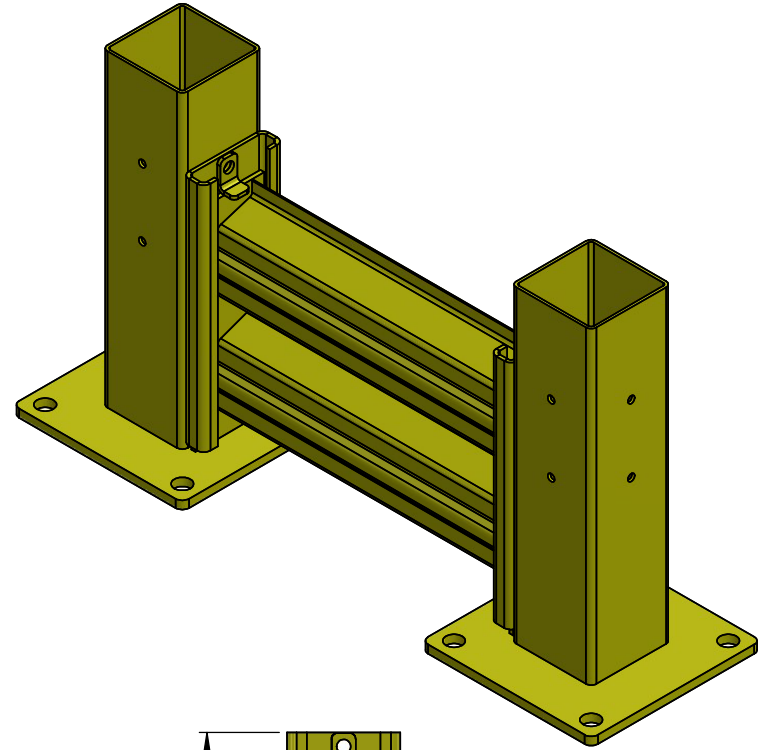
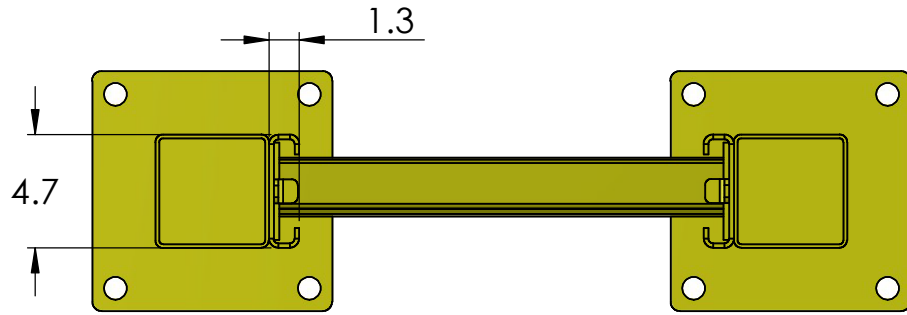



RR-DGA - Down Guard Adapter



		
TITLE:		
Down Guard Adapter		
SIZE	DWG. NO.	REV
A	RR-DGA	D
SCALE: NTS	WEIGHT: 11.6 LBS	SHEET 1 OF 1

Sold in Pairs
Only works in certain positions of CSO & CSC

quotes@rhinorails.com | specs.rhinorails.com | 866-874-3385

