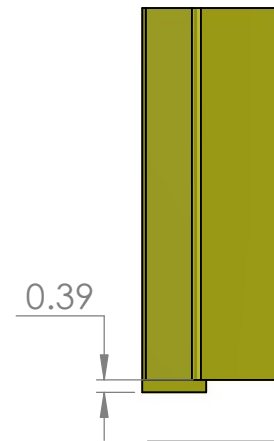
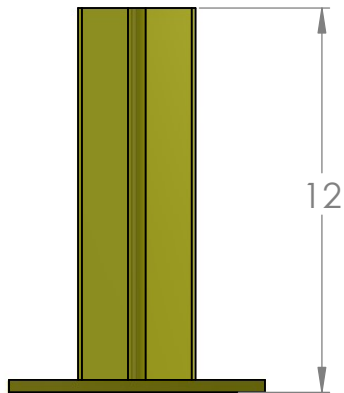
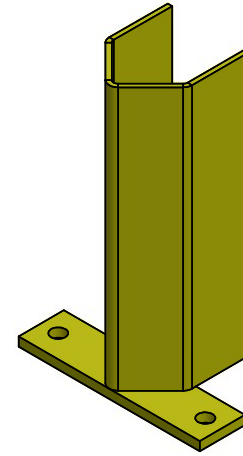
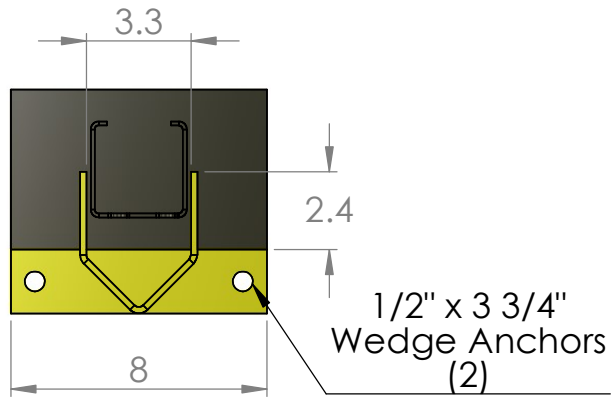


RR-P12-3R -12" Universal Post Protector



TITLE:

12" Universal
Post Protector

SIZE
A

DWG. NO.

RR-P12-3R

REV
A

SCALE: NTS

WEIGHT: 9.5 LBS

SHEET 1 OF 1