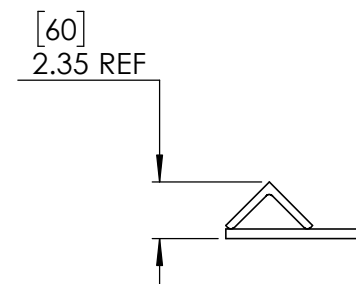
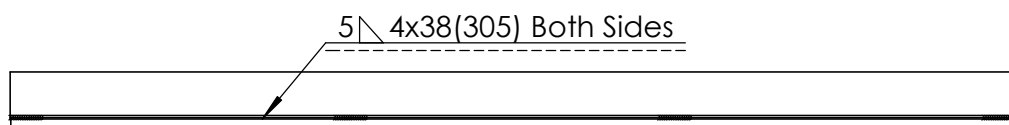
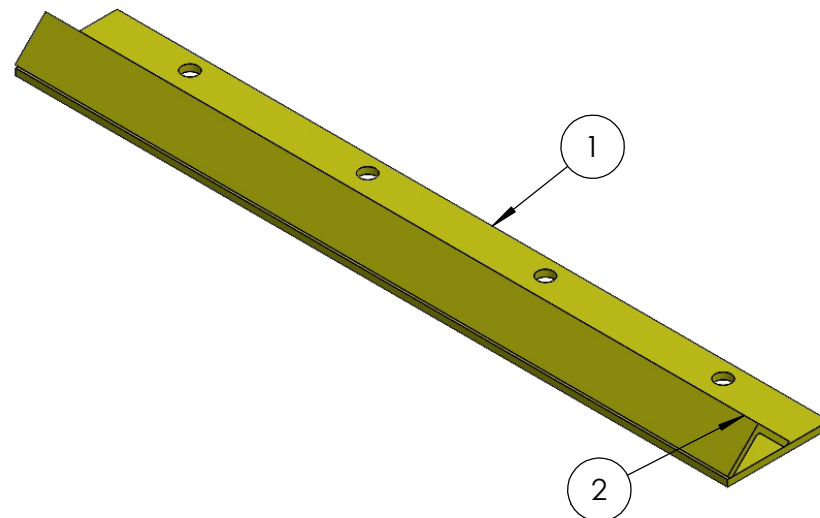
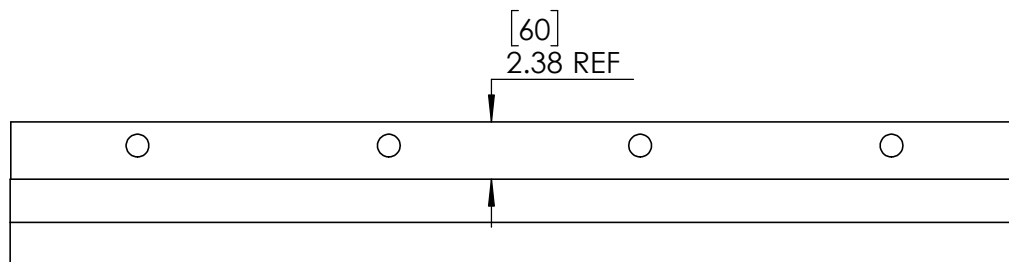



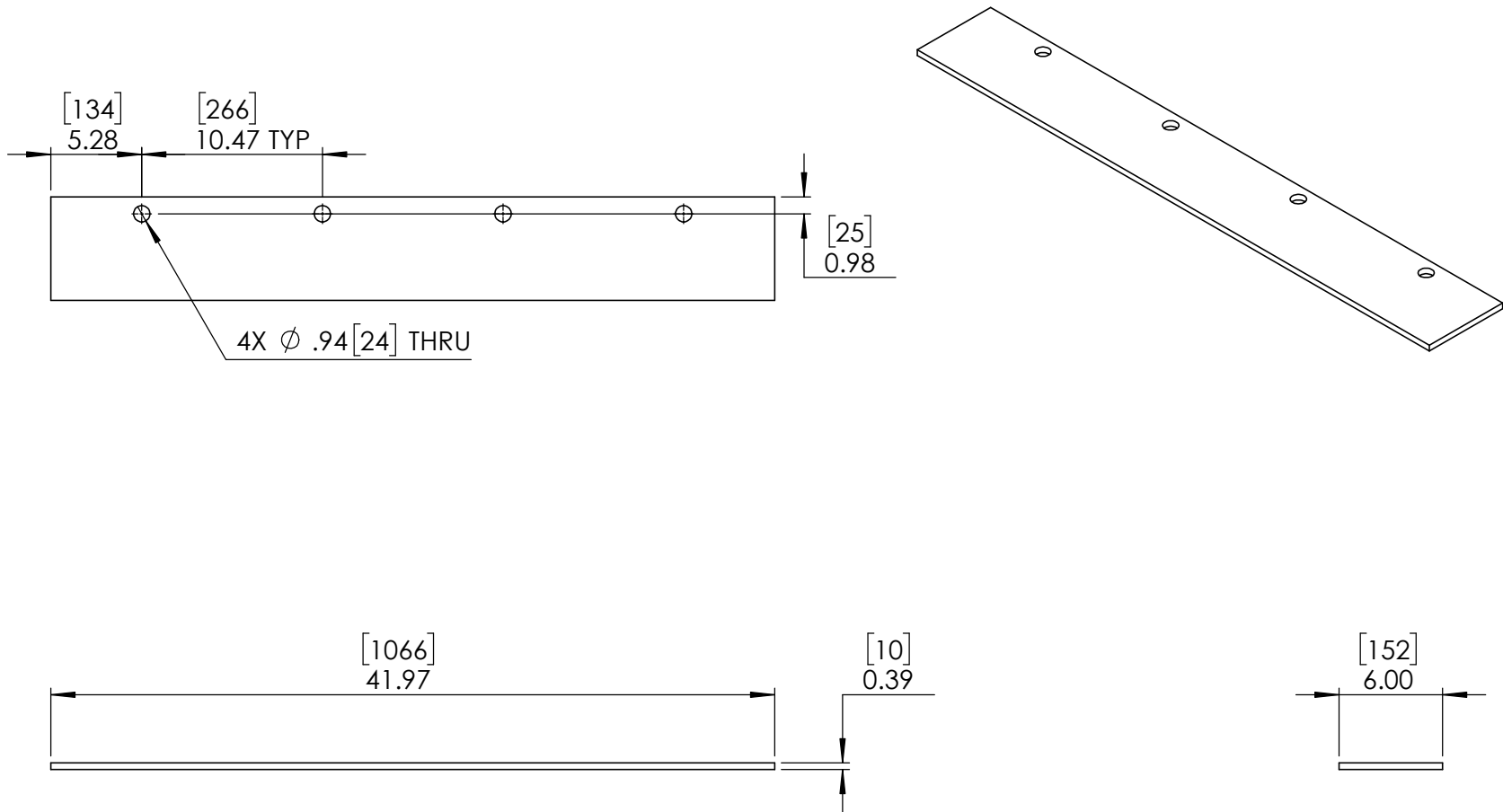
ITEM NO.	PART NUMBER	DESCRIPTION	QTY.
1	RP-42WS-BASE	Base	1
2	RP-42WS-AS	Angle	1


REVISIONS				
ZONE	REV.	DESCRIPTION	DATE	APPROVED
	B	Changed angle	3/8/2021	EGS



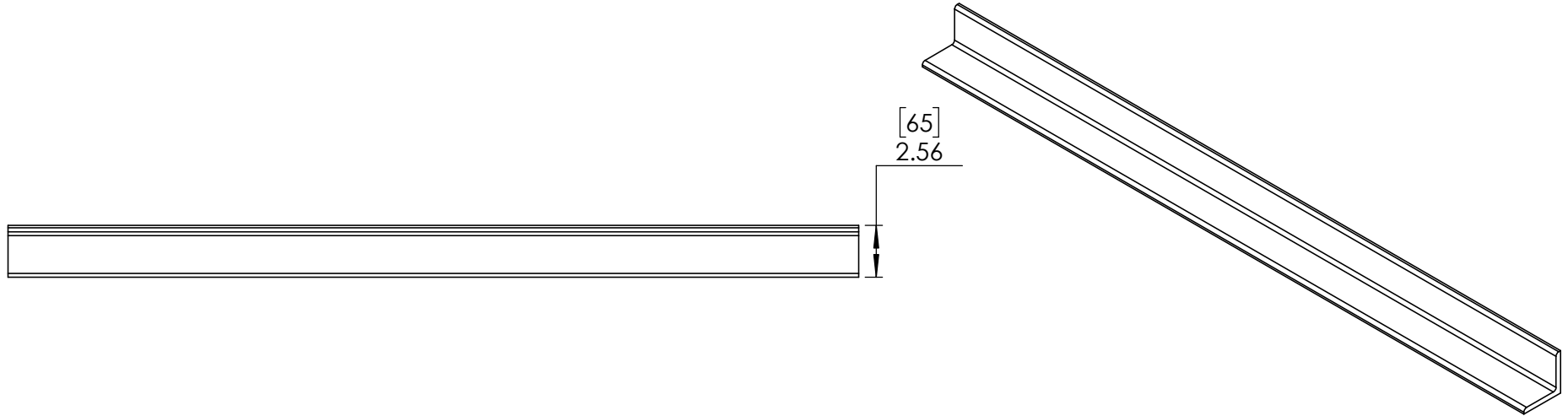
UNLESS OTHERWISE SPECIFIED:  DIMENSIONS ARE IN INCHES [DIMENSIONS] ARE IN MM TOLERANCES: .X ± .12" [3 mm] .XX ± .06" [1.5 mm] .XXX ± .03" [0.7 mm] Angular ± 1°  INTERPRET GEOMETRIC TOLERANCING PER:  MATERIAL Mild Steel  FINISH Yellow Powder Coat  DO NOT SCALE DRAWING	NAME	DATE	  <b>TITLE:</b> Wheel Stop  <b>SIZE</b> DWG. NO. <b>REV</b> <b>A</b> RP-42WS-HD <b>B</b> SCALE: NTS WEIGHT: 45.7 LBS SHEET 1 OF 3
	DRAWN	EGS 1/29/2021	
	CHECKED		
	ENG APPR.		
	MFG APPR.		
	Q.A.		
	COMMENTS:	See Notes	






UNLESS OTHERWISE SPECIFIED:		NAME	DATE	
DIMENSIONS ARE IN INCHES [DIMENSIONS] ARE IN MM TOLERANCES:	DRAWN	EGS	1/29/2021	
.X ± .12" [3 mm] .XX ± .06" [1.5 mm] .XXX ± .03" [0.7 mm] Angular ± 1°	CHECKED			TITLE: <b>Base</b>
INTERPRET GEOMETRIC TOLERANCING PER:	ENG APPR.			
MATERIAL Mild Steel	MFG APPR.			
FINISH Yellow Powder Coat	Q.A.			SIZE DWG. NO. REV <b>A</b> RP-42WS-BASE <b>A</b>
DO NOT SC LE DR NG	COMMENTS: See Notes			SCALE: NTS WEIGHT: 27.8 LBS SHEET 2 OF 3





UNLESS OTHERWISE SPECIFIED: DIMENSIONS ARE IN INCHES [DIMENSIONS] ARE IN MM TOLERANCES: .X ± .12" [3 mm] .XX ± .06" [1.5 mm] .XXX ± .03" [0.7 mm] Angular ± 1°		NAME	DATE	
	DRAWN	EGS	1/29/2021	
INTERPRET GEOMETRIC TOLERANCING PER:	CHECKED			TITLE: <b>Angle</b>
	MATERIAL Mild Steel	ENG APPR.		
FINISH Yellow Powder Coat	Q.A.			SIZE DWG. NO. REV
DO NOT SCALE DRAWING	COMMENTS: See Notes			<b>A</b> RP-42WS-AS <b>B</b>
				SCALE: NTS WEIGHT: 17.9 LBS SHEET 3 OF 3

