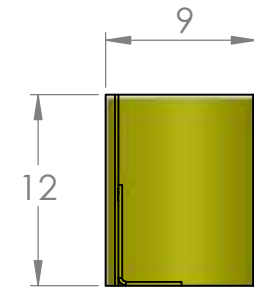
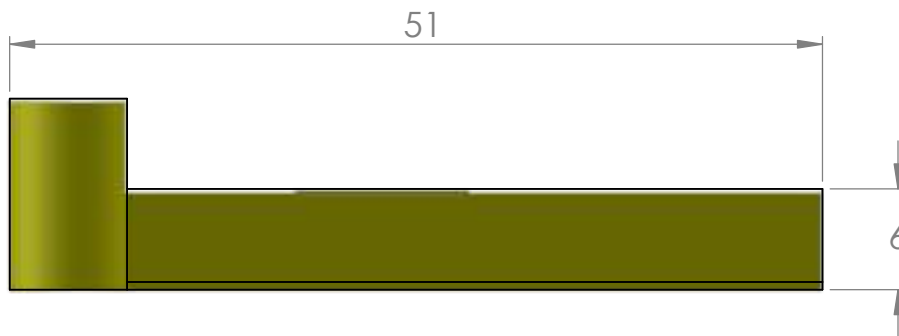
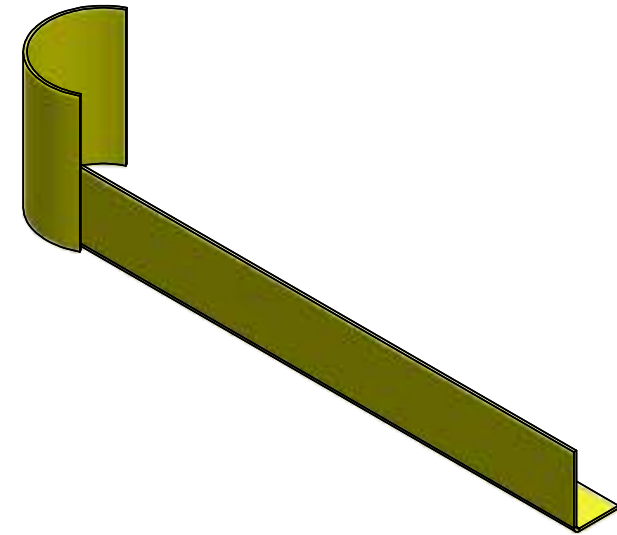
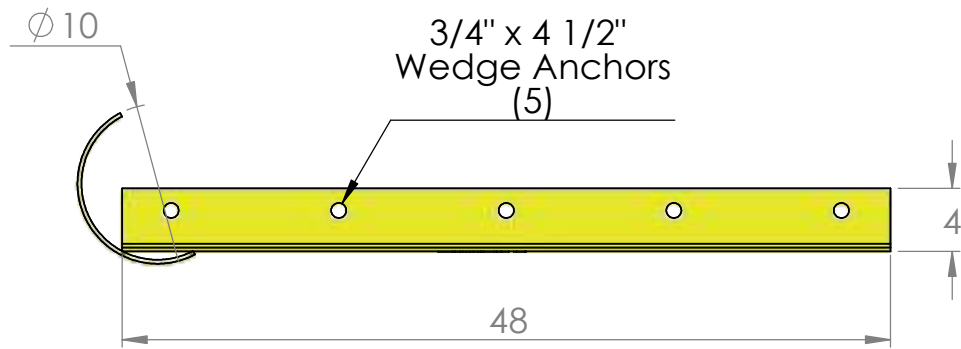


# RR-RP-48LH-MD - 48" Standard Duty Rack Protector - Left



		
<b>TITLE:</b> 48" Standard Duty Rack Protector Left		
<b>SIZE</b> <b>A</b>	<b>DWG. NO.</b> RP-48LH-MD	<b>REV</b> <b>A</b>
SCALE: NTS	WEIGHT: 44 LBS	SHEET 1 OF 1

quotes@rhinorails.com | specs.rhinorails.com | 866-874-3385

