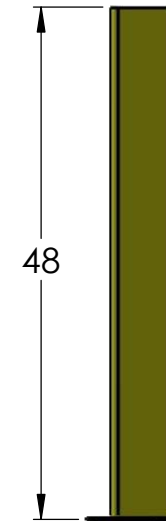
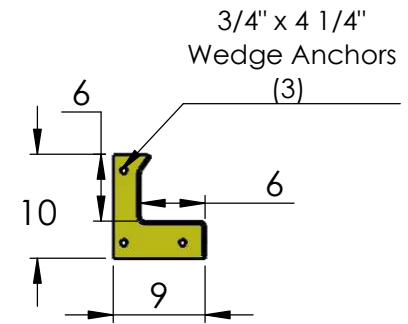
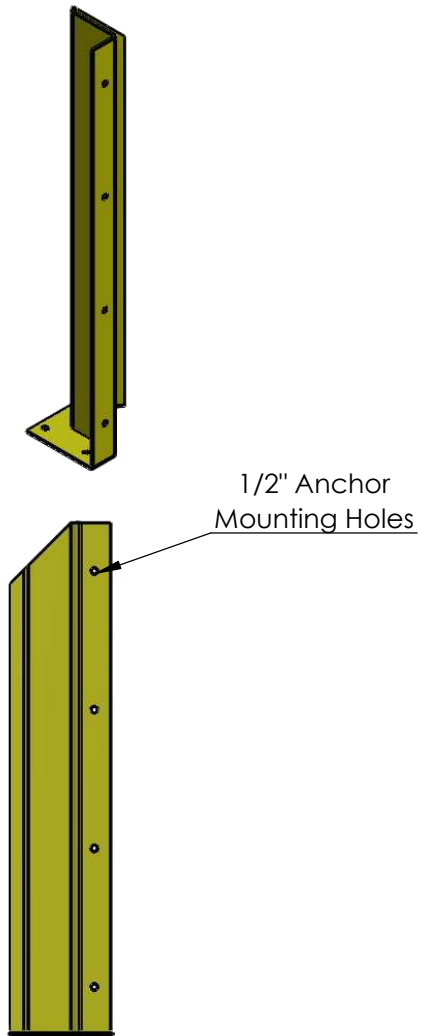


RR-TG-48RH - Overhead Door Track Guard



TITLE:
48" Track Guard Right

SIZE A	DWG. NO. RR-TG-48RH	REV A
------------------	------------------------	-----------------

SCALE: NTS | WEIGHT: 51.1 LBS | SHEET 1 OF 1

quotes@rhinorails.com | specs.rhinorails.com | 866-874-3385

