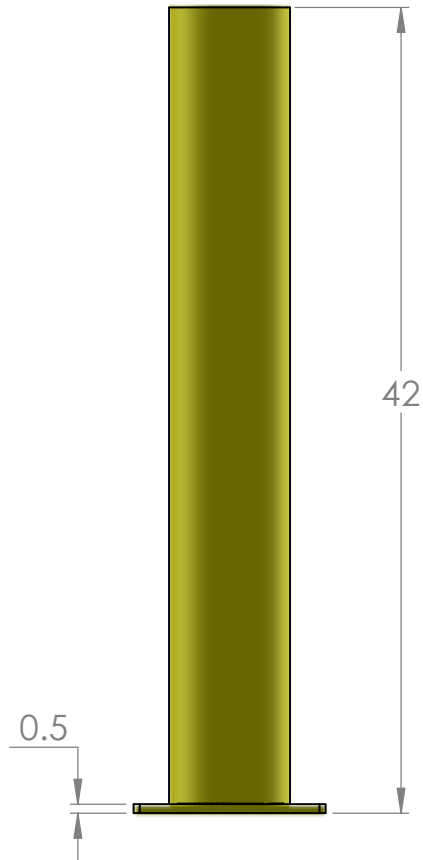
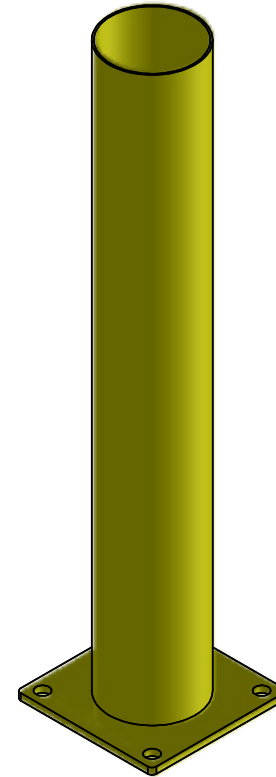
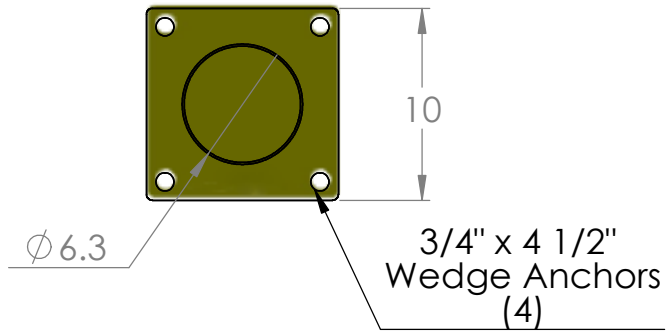



# RR-BO-6-42MD - 6" Bollard



		
TITLE:		
6" Bollard		
SIZE	DWG. NO.	REV
<b>A</b>	RR-BO-6-42MD	<b>A</b>
SCALE: NTS	WEIGHT: 40 LBS	SHEET 1 OF 1

[quotes@rhinorails.com](mailto:quotes@rhinorails.com) | [specs.rhinorails.com](http://specs.rhinorails.com) | 866-874-3385

