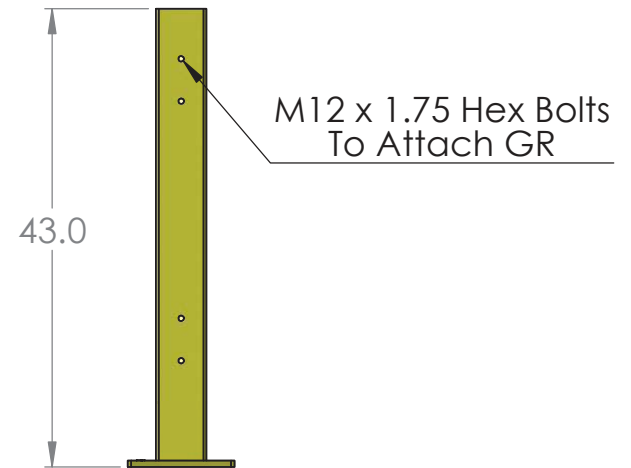
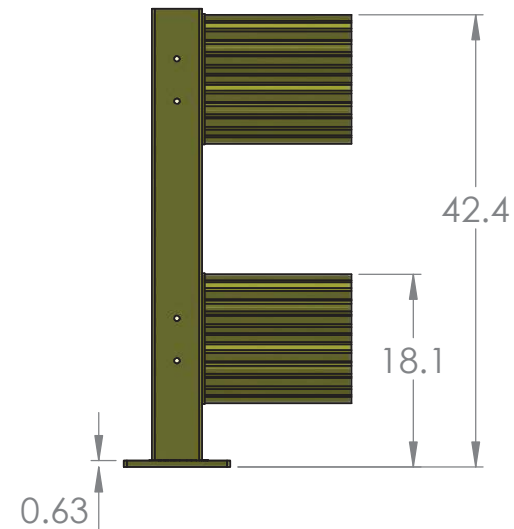
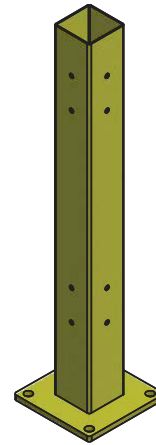
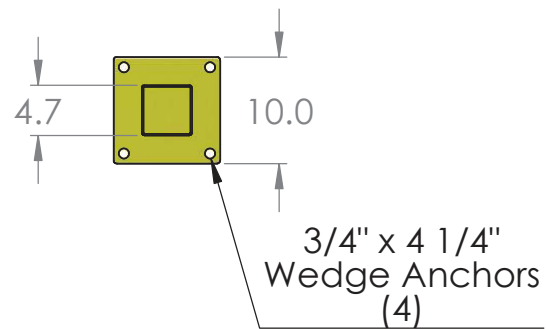


RR-CS-2 - Double Rail Column



TITLE:
Double Rail
Column

SIZE A	DWG. NO. RR-CS-2	REV A
------------------	---------------------	-----------------

SCALE: NTS	WEIGHT: 51 LBS	SHEET 1 OF 1
------------	----------------	--------------

quotes@rhinorails.com | specs.rhinorails.com | 866-874-3385

