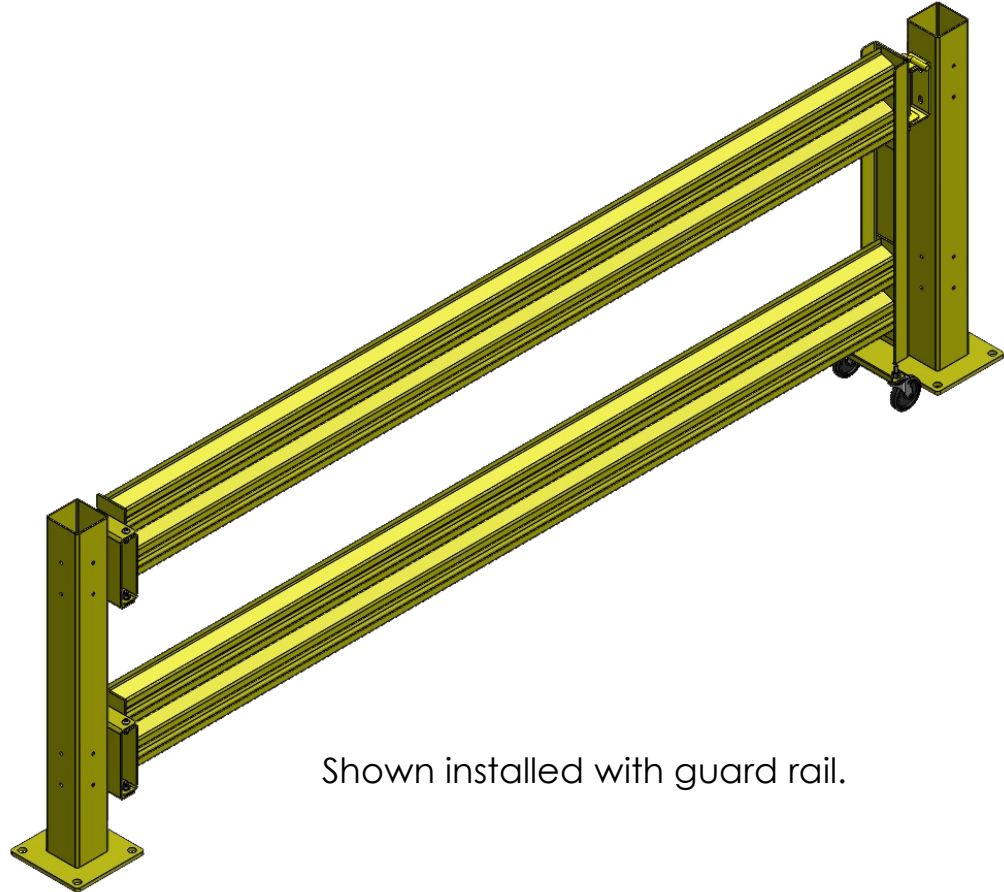
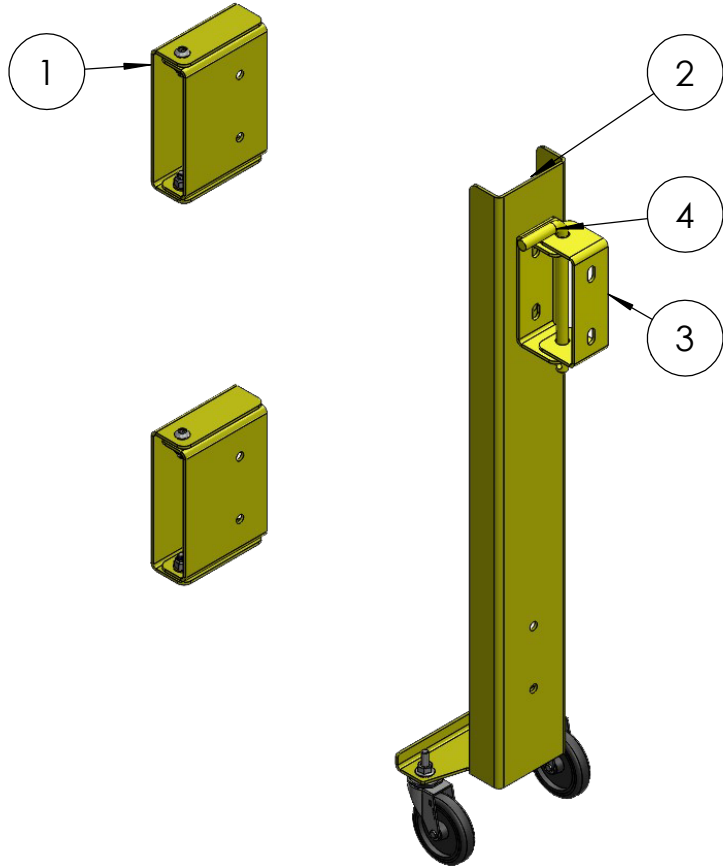



RR-GR-RHG - Rail Hinge Gate

ITEM NO.	PART NUMBER	DESCRIPTION	QTY.
1	GR-RHG-HINGE	Rail Hinge	2
2	GR-RHG-ESA	End Support Assembly	1
3	GR-RHG-LCK	Rail Lock	2
4	GR-RHG-PIN	Locking Pin	1

REVISIONS				
ZONE	REV.	DESCRIPTION	DATE	APPROVED
	B	Changed overall design	4/29/2020	EGS
	C	Decreased material thickness. Changed caster bracket on GR-RHG-ESA	9/9/2020	EGS



Shown installed with guard rail.

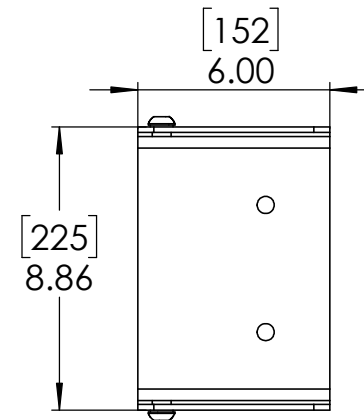
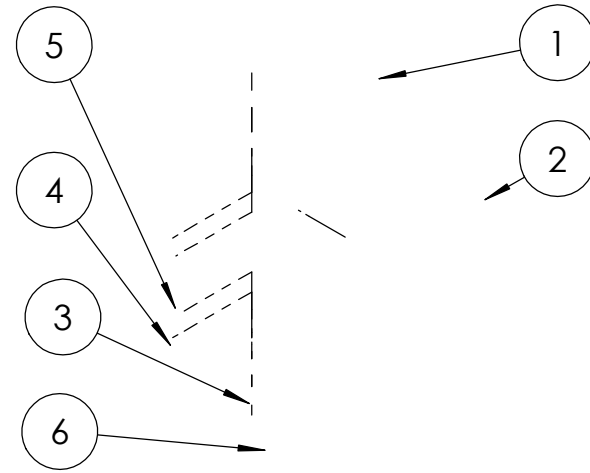
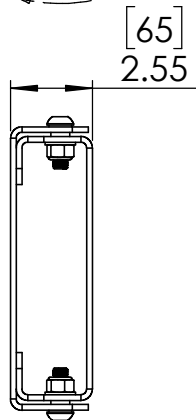
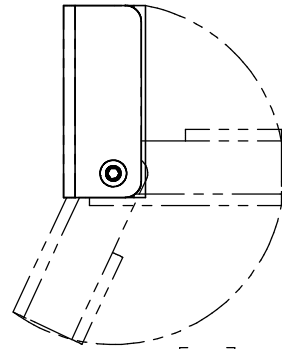
UNLESS OTHERWISE SPECIFIED:		NAME	DATE				
DIMENSIONS ARE IN INCHES [DIMENSIONS] ARE IN MM TOLERANCES:	DRAWN	EGS	4/29/2020				
.X ± .12" [3 mm] .XX ± .06" [1.5 mm] .XXX ± .03" [0.7 mm] Angular ± 1°	CHECKED			TITLE:			
INTERPRET GEOMETRIC TOLERANCING PER:	ENG APPR.			Rail Hinge Gate			
MATERIAL	MFG APPR.			SIZE	DWG. NO.	REV	
Mild Steel	Q.A.			A	RR-GR-RHG	C	
FINISH	COMMENTS:	See Notes			SCALE: NTS	WEIGHT: 44.5 LBS	SHEET 1 OF 14
Yellow Powder Coat							


quotes@rhinorails.com | specs.rhinorails.com | 866-874-3385



RR-GR-RHG - Rail Hinge Gate

ITEM NO.	PART NUMBER	DESCRIPTION	QTY.
1	GR-RHG-FHP	Fixed Hinge Plate	1
2	GR-RHG-RHP	Rotating Hinge Plate	1
3		Oilite® Flanged Sleeve Bearing 12mm ID 15mm OD 16mm L	2
4		Oilite® Plain Bearing 12mm ID	2
5		M12x1.75 Nylon Lock Nut	2
6		M12x1.75-35mm SBHCS	2

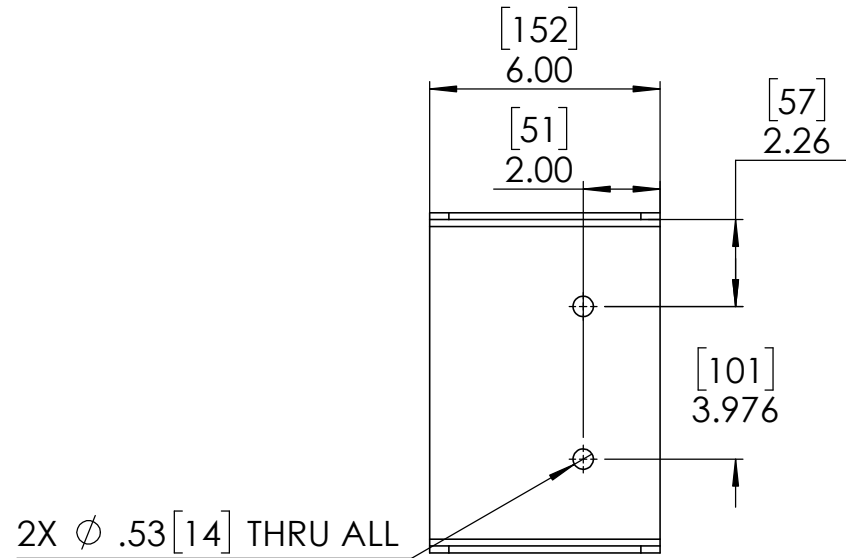
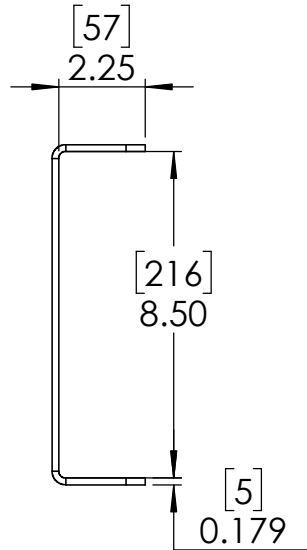
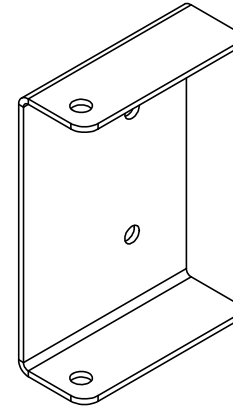
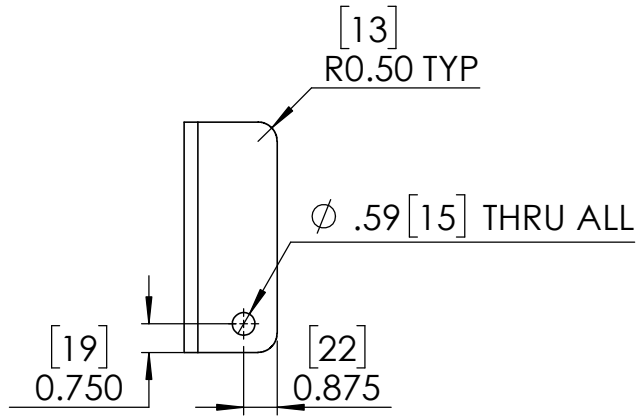



UNLESS OTHERWISE SPECIFIED:		NAME	DATE		
DIMENSIONS ARE IN INCHES [DIMENSIONS] ARE IN MM TOLERANCES: .X ± .12" [3 mm] .XX ± .06" [1.5 mm] .XXX ± .03" [0.7 mm] Angular ± 1°		DRAWN	EGS		
INTERPRET GEOMETRIC TOLERANCING PER:		CHECKED			
MATERIAL		ENG APPR.			
FINISH		MFG APPR.			
Mild Steel		Q.A.			SIZE DWG. NO. REV A GR-RHG-HINGE C
Yellow Powder Coat		COMMENTS:	See Notes		

quotes@rhinorails.com | specs.rhinorails.com | 866-874-3385



RR-GR-RHG - Rail Hinge Gate

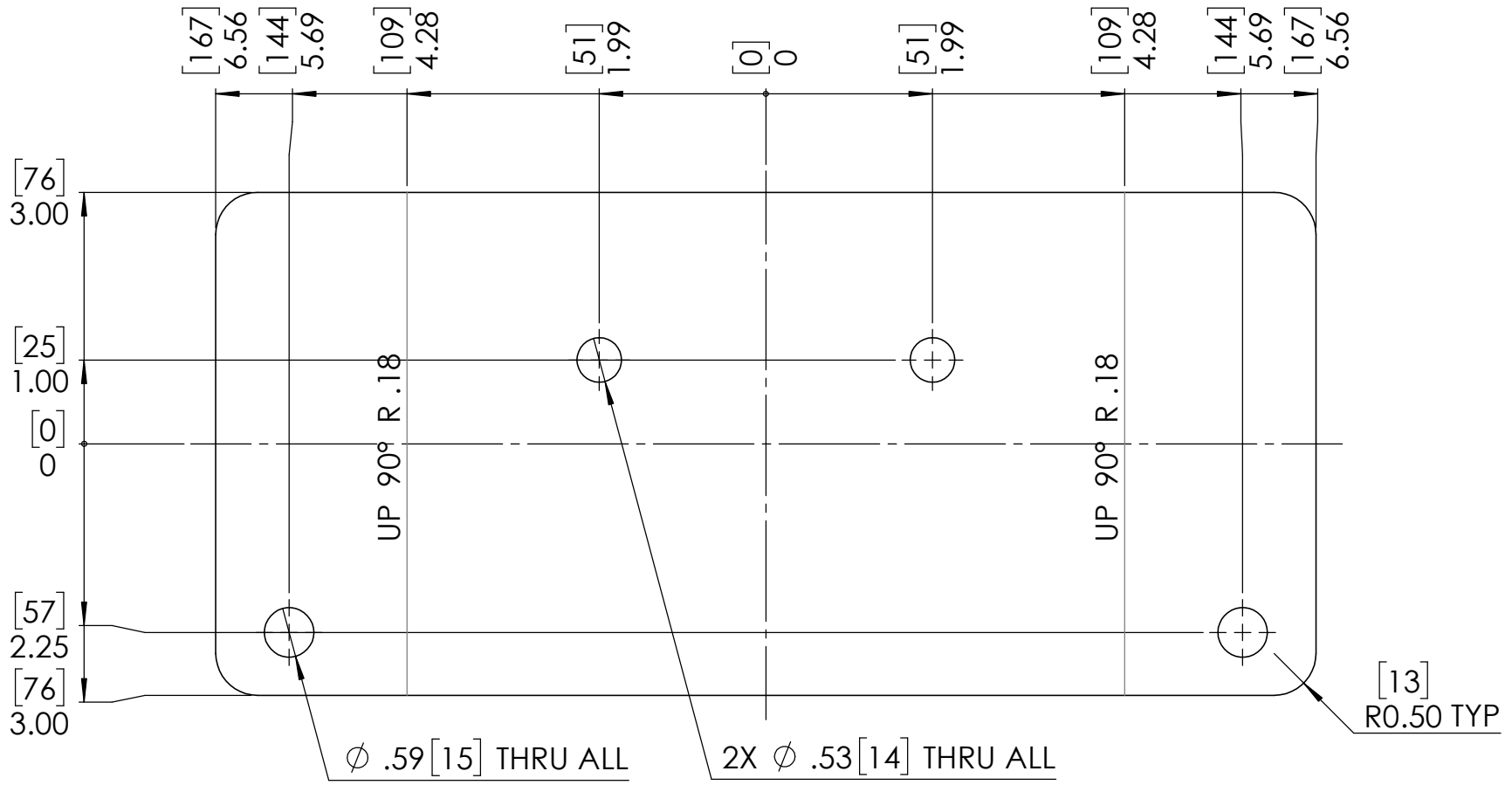


UNLESS OTHERWISE SPECIFIED:		NAME	DATE	
DIMENSIONS ARE IN INCHES [DIMENSIONS] ARE IN MM TOLERANCES:	DRAWN	EGS	4/29/2020	
.X ± .12" [3 mm]	CHECKED			TITLE:
.XX ± .06" [1.5 mm]	ENG APPR.			Fixed Hinge Plate
.XXX ± .03" [0.7 mm]	MFG APPR.			
Angular ± 1°	Q.A.			
INTERPRET GEOMETRIC TOLERANCING PER:	COMMENTS:			
MATERIAL				SIZE DWG. NO. REV
Mild Steel				A GR-RHG-FHP C
FINISH	See Notes			
Yellow Powder Coat				

quotes@rhinorails.com | specs.rhinorails.com | 866-874-3385



RR-GR-RHG - Rail Hinge Gate



UNLESS OTHERWISE SPECIFIED:		NAME	DATE
DIMENSIONS ARE IN INCHES [DIMENSIONS] ARE IN MM TOLERANCES: .X ± .12" [3 mm] .XX ± .06" [1.5 mm] .XXX ± .03" [0.7 mm] Angular ± 1°	DRAWN	EGS	4/29/2020
	CHECKED		
	ENG APPR.		
	MFG APPR.		
INTERPRET GEOMETRIC TOLERANCING PER:	Q.A.		
MATERIAL Mild Steel	COMMENTS: See Notes		
FINISH Yellow Powder Coat			



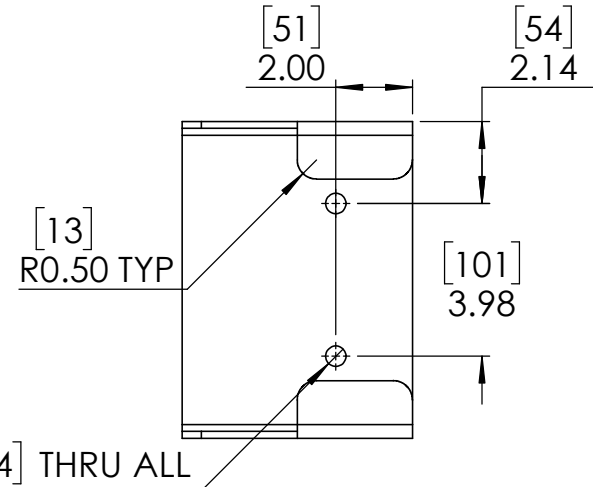
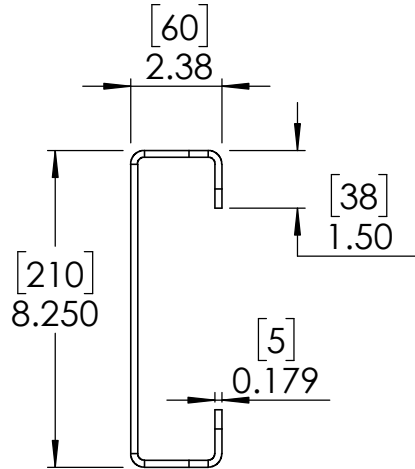
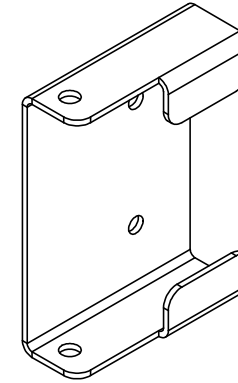
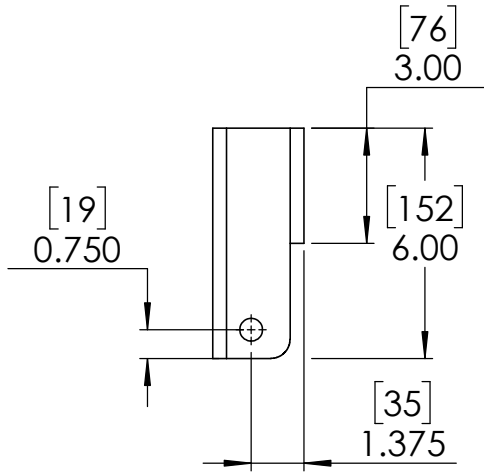
TITLE:
Fixed Hinge Plate


SIZE A	DWG. NO. GR-RHG-FHP	REV C
------------------	-------------------------------	-----------------

quotes@rhinorails.com | specs.rhinorails.com | 866-874-3385



RR-GR-RHG - Rail Hinge Gate

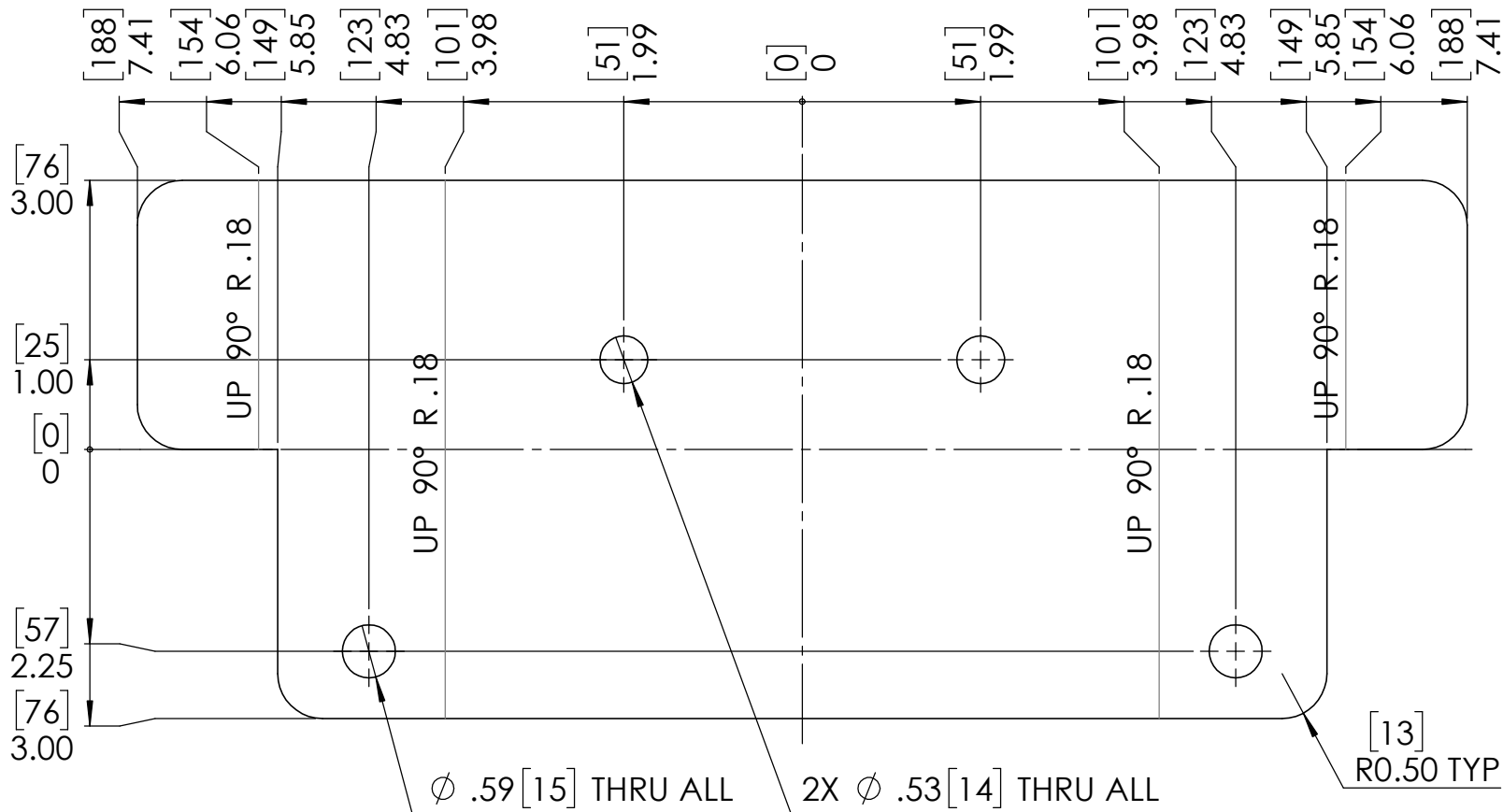


UNLESS OTHERWISE SPECIFIED:		NAME	DATE	
DIMENSIONS ARE IN INCHES [DIMENSIONS] ARE IN MM TOLERANCES:	DRAWN	EGS	4/29/2020	
.X ± .12" [3 mm]	CHECKED			TITLE: <h2>Rotating Hinge Plate</h2>
.XX ± .06" [1.5 mm]	ENG APPR.			
.XXX ± .03" [0.7 mm]	MFG APPR.			
Angular ± 1°	Q.A.			SIZE DWG. NO. REV A GR-RHG-RHP C
INTERPRET GEOMETRIC TOLERANCING PER:	COMMENTS:	See Notes		
MATERIAL Mild Steel				SCALE: NTS WEIGHT: 4.0 LBS SHEET 5 OF 14
FINISH Yellow Powder Coat				

quotes@rhinorails.com | specs.rhinorails.com | 866-874-3385



RR-GR-RHG - Rail Hinge Gate



UNLESS OTHERWISE SPECIFIED:		NAME	DATE
DIMENSIONS ARE IN INCHES [DIMENSIONS] ARE IN MM		DRAWN	EGS 4/29/2020
TOLERANCES:		CHECKED	
.X ± .12" [3 mm]		ENG APPR.	
.XX ± .06" [1.5 mm]		MFG APPR.	
.XXX ± .03" [0.7 mm]		Q.A.	
Angular ± 1°		COMMENTS:	
INTERPRET GEOMETRIC TOLERANCING PER:		See Notes	
MATERIAL		Mild Steel	
FINISH		Yellow Powder Coat	
		SIZE	DWG. NO.
		A	GR-RHG-RHP
			REV
			C
		SCALE: NTS	WEIGHT: 4.0 LBS
			SHEET 6 OF 14



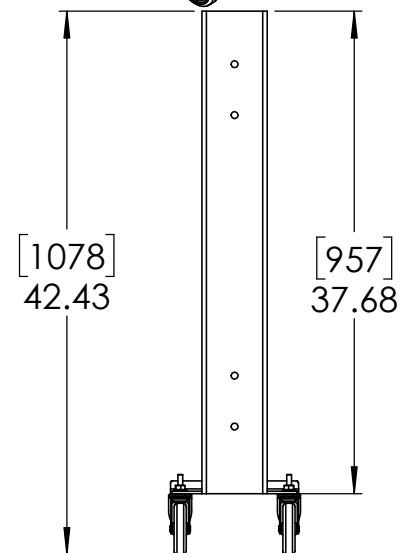
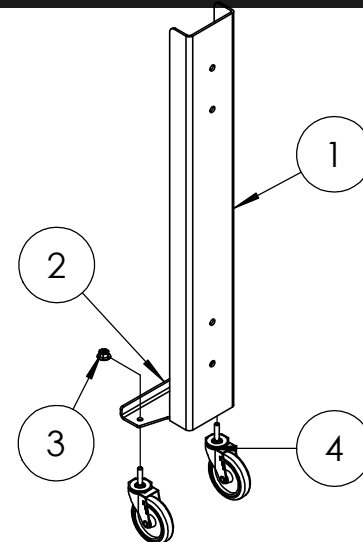
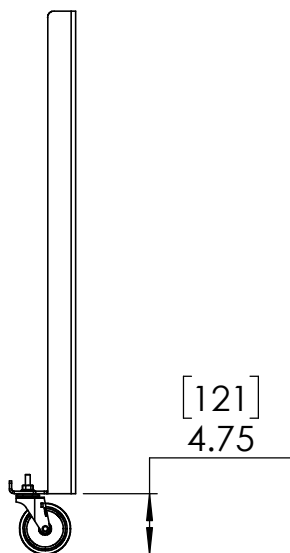
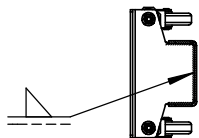
TITLE:
Rotating Hinge Plate

quotes@rhinorails.com | specs.rhinorails.com | 866-874-3385



RR-GR-RHG - Rail Hinge Gate


ITEM NO.	PART NUMBER	DESCRIPTION	QTY.
1	GR-RHG-RES	End Support	1
2	GR-RHG-CB	Caster Bracket	1
3	96194A104	3/8-16 Serrated Lock Nut or Equivalent	2
4	PRE40605ZN-TPR	Shepard 4" Swivel Caster or Equivalent	2



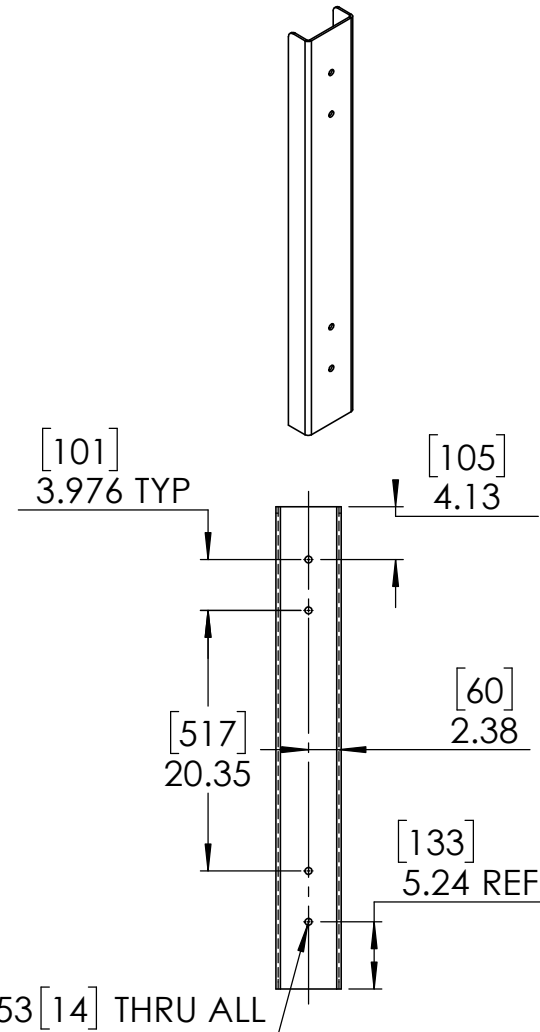
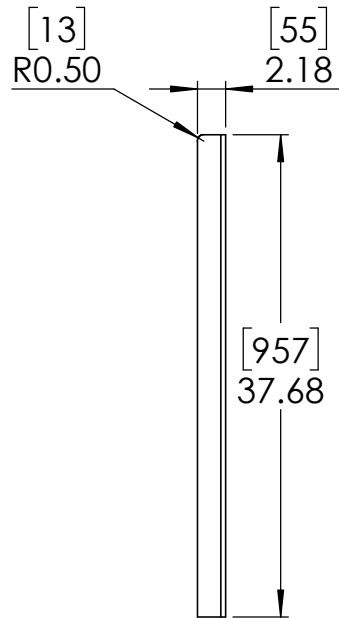
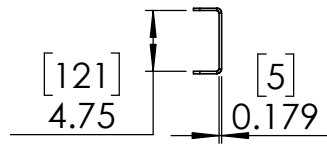
Install caster & nut after powdercoating.




quotes@rhinorails.com | specs.rhinorails.com | 866-874-3385

UNLESS OTHERWISE SPECIFIED:		NAME	DATE	
DIMENSIONS ARE IN INCHES [DIMENSIONS] ARE IN MM TOLERANCES: .X ± .12" [3 mm] .XX ± .06" [1.5 mm] .XXX ± .03" [0.7 mm] Angular ± 1°		EGS	4/29/2020	
INTERPRET GEOMETRIC TOLERANCING PER:		CHECKED		TITLE: <h2>End Support Assembly</h2>
MATERIAL Mild Steel		ENG APPR.		
FINISH Yellow Powder Coat		MFG APPR.		
		Q.A.		SIZE DWG. NO. REV A GR-RHG-ESA B
		COMMENTS: See Notes		SCALE: NTS WEIGHT: 24.6 LBS SHEET 7 OF 14

RR-GR-RHG - Rail Hinge Gate

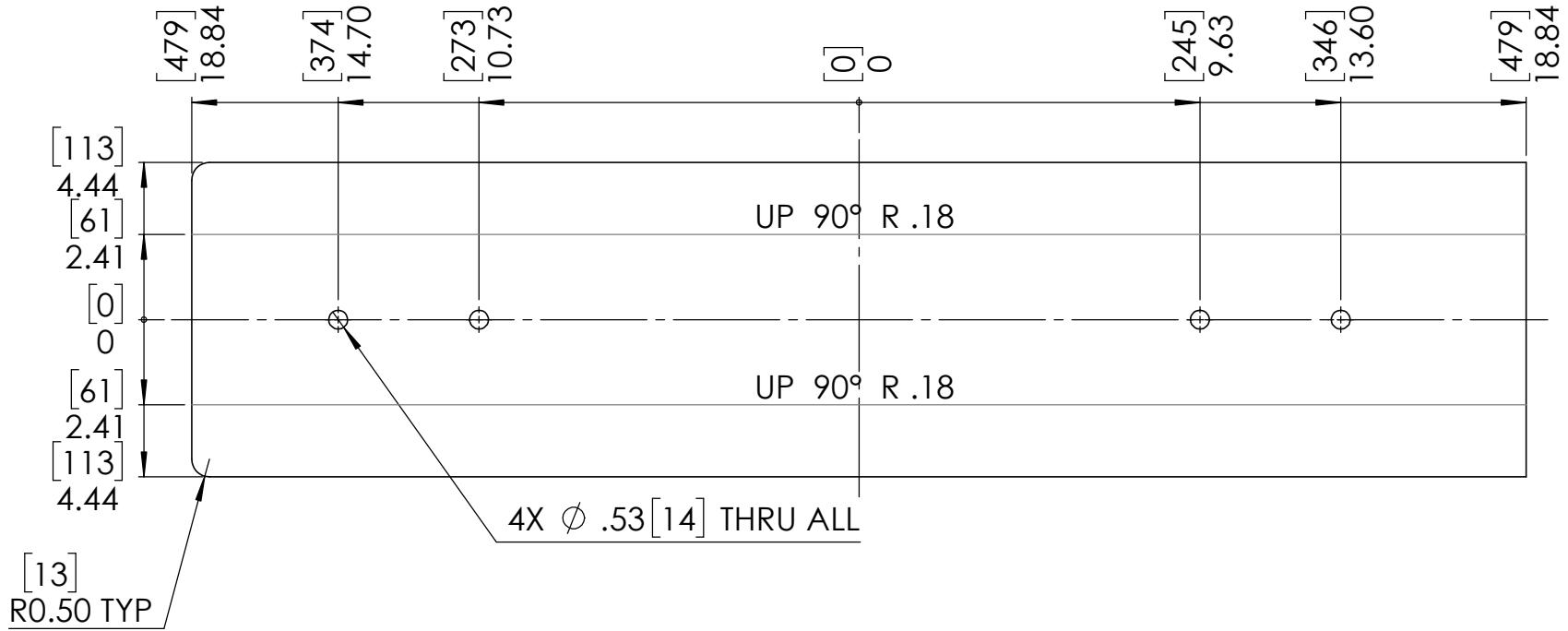



UNLESS OTHERWISE SPECIFIED:		NAME	DATE	
DIMENSIONS ARE IN INCHES [DIMENSIONS] ARE IN MM TOLERANCES:	DRAWN	EGS	4/29/2020	
.X ± .12" [3 mm] .XX ± .06" [1.5 mm] .XXX ± .03" [0.7 mm] Angular ± 1°	CHECKED			TITLE:
INTERPRET GEOMETRIC TOLERANCING PER:	ENG APPR.			End Support
MATERIAL Mild Steel	MFG APPR.			SIZE DWG. NO. REV
FINISH Yellow Powder Coat	Q.A.			A GR-RHG-RES C
	COMMENTS:	See Notes		SCALE: NTS WEIGHT: 17.0 LBS SHEET 8 OF 14

quotes@rhinorails.com | specs.rhinorails.com | 866-874-3385



RR-GR-RHG - Rail Hinge Gate



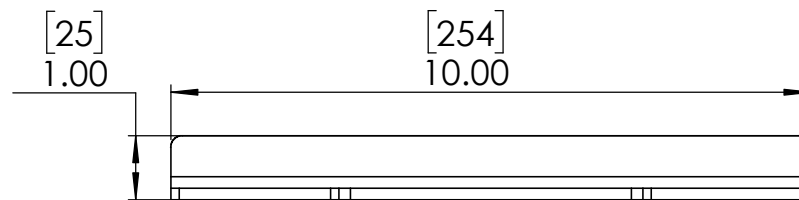
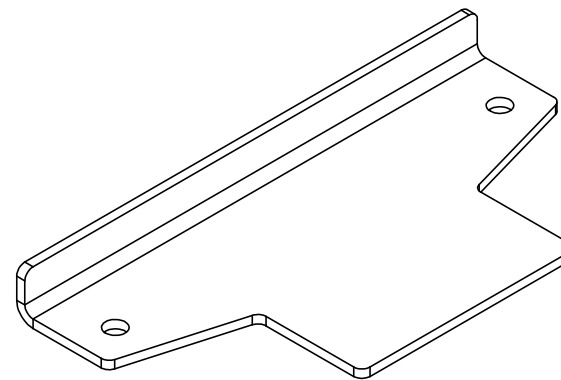
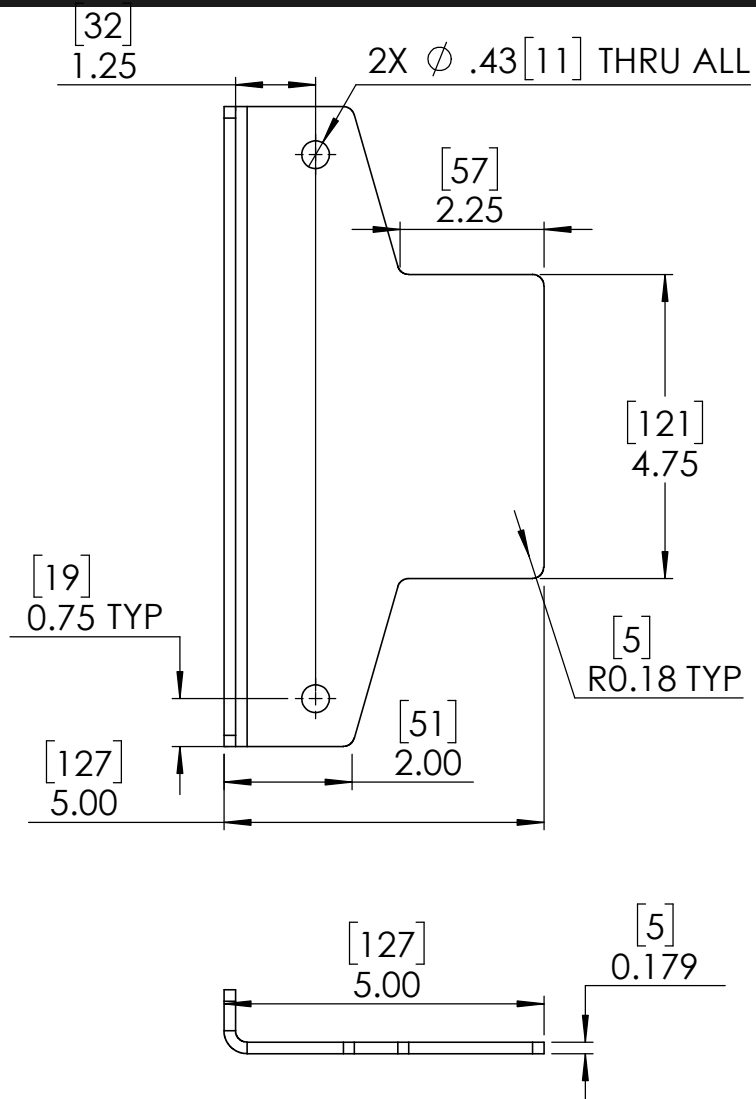
UNLESS OTHERWISE SPECIFIED:		NAME	DATE	
DIMENSIONS ARE IN INCHES [DIMENSIONS] ARE IN MM TOLERANCES:	DRAWN	EGS	4/29/2020	
.X ± .12" [3 mm] .XX ± .06" [1.5 mm] .XXX ± .03" [0.7 mm] Angular ± 1°	CHECKED			TITLE:
INTERPRET GEOMETRIC TOLERANCING PER:	ENG APPR.			End Support
MATERIAL	MFG APPR.			
Mild Steel	Q.A.			
FINISH	COMMENTS:	See Notes		SIZE DWG. NO. REV
Yellow Powder Coat				A GR-RHG-RES C


quotes@rhinorails.com | specs.rhinorails.com | 866-874-3385

SCALE: NTS WEIGHT: 17.0 LBS SHEET 9 OF 14



RR-GR-RHG - Rail Hinge Gate

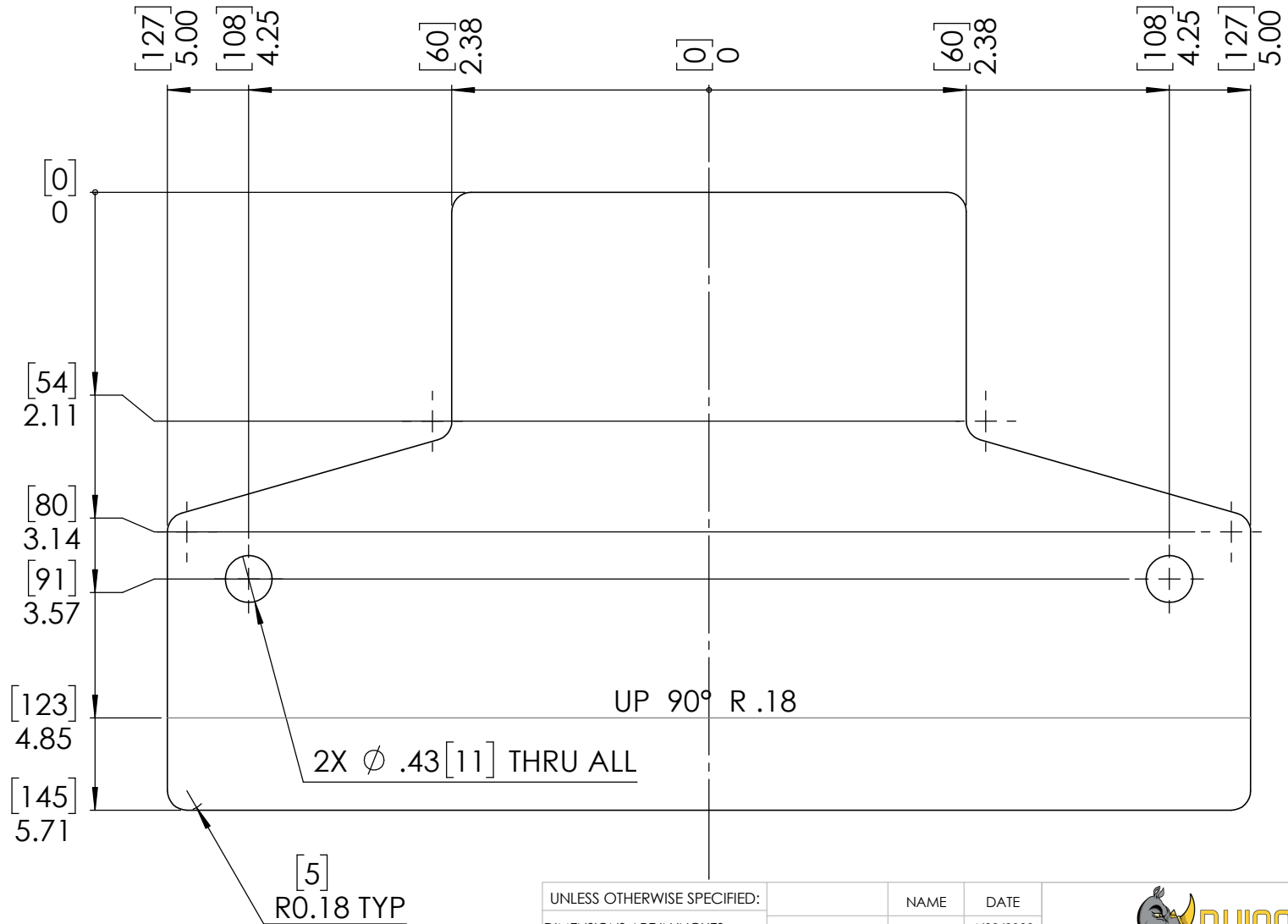



UNLESS OTHERWISE SPECIFIED:		NAME	DATE	
DIMENSIONS ARE IN INCHES [DIMENSIONS] ARE IN MM		DRAWN	EGS 4/29/2020	
TOLERANCES:		CHECKED		
.X ± .12" [3 mm]		ENG APPR.		
.XX ± .06" [1.5 mm]		MFG APPR.		
.XXX ± .03" [0.7 mm]		Q.A.		SIZE A DWG. NO. GR-RHG-CB REV C
Angular ± 1°		COMMENTS: See Notes		
INTERPRET GEOMETRIC TOLERANCING PER:				
MATERIAL Mild Steel				SCALE: NTS
FINISH Yellow Powder Coat				WEIGHT: 2.2 LBS

quotes@rhinorails.com | specs.rhinorails.com | 866-874-3385



RR-GR-RHG - Rail Hinge Gate



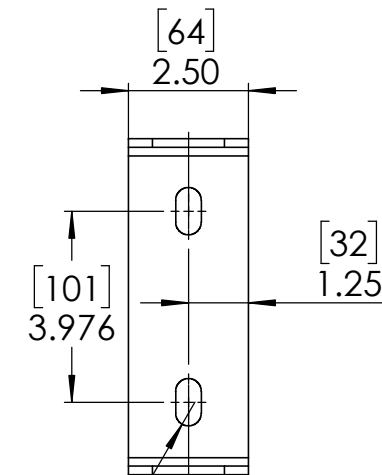
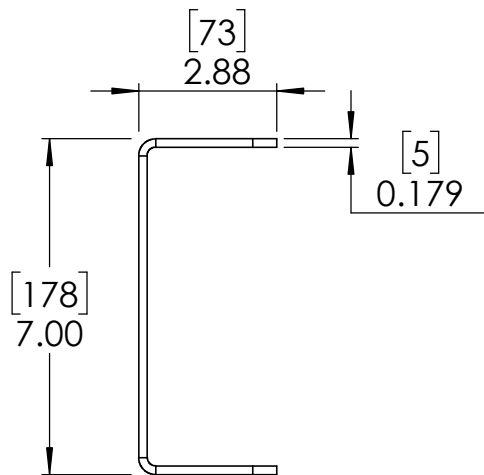
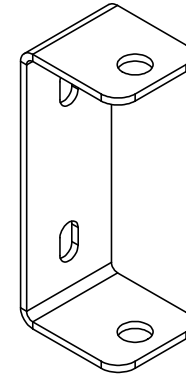
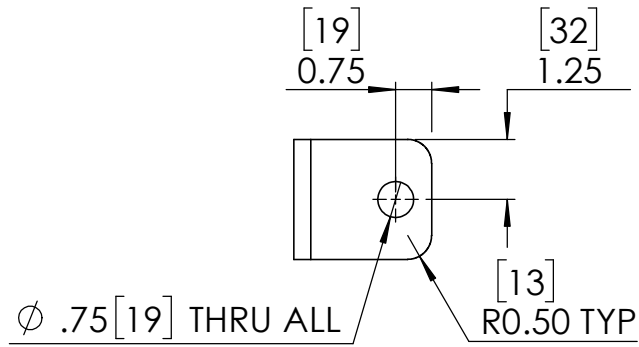
UNLESS OTHERWISE SPECIFIED:		NAME	DATE	
DIMENSIONS ARE IN INCHES [DIMENSIONS] ARE IN MM TOLERANCES: .X ± .12" [3 mm] .XX ± .06" [1.5 mm] .XXX ± .03" [0.7 mm] Angular ± 1°		DRAWN	EGS	
INTERPRET GEOMETRIC TOLERANCING PER:		CHECKED		TITLE:
MATERIAL		ENG APPR.		Caster Bracket
Mild Steel		MFG APPR.		
FINISH		Q.A.		
Yellow Powder Coat		COMMENTS:		
		See Notes		SIZE DWG. NO. REV
				A GR-RHG-CB C

quotes@rhinorails.com | specs.rhinorails.com | 866-874-3385


SCALE: NTS WEIGHT: 2.2 LBS SHEET 11 OF 14



RR-GR-RHG - Rail Hinge Gate



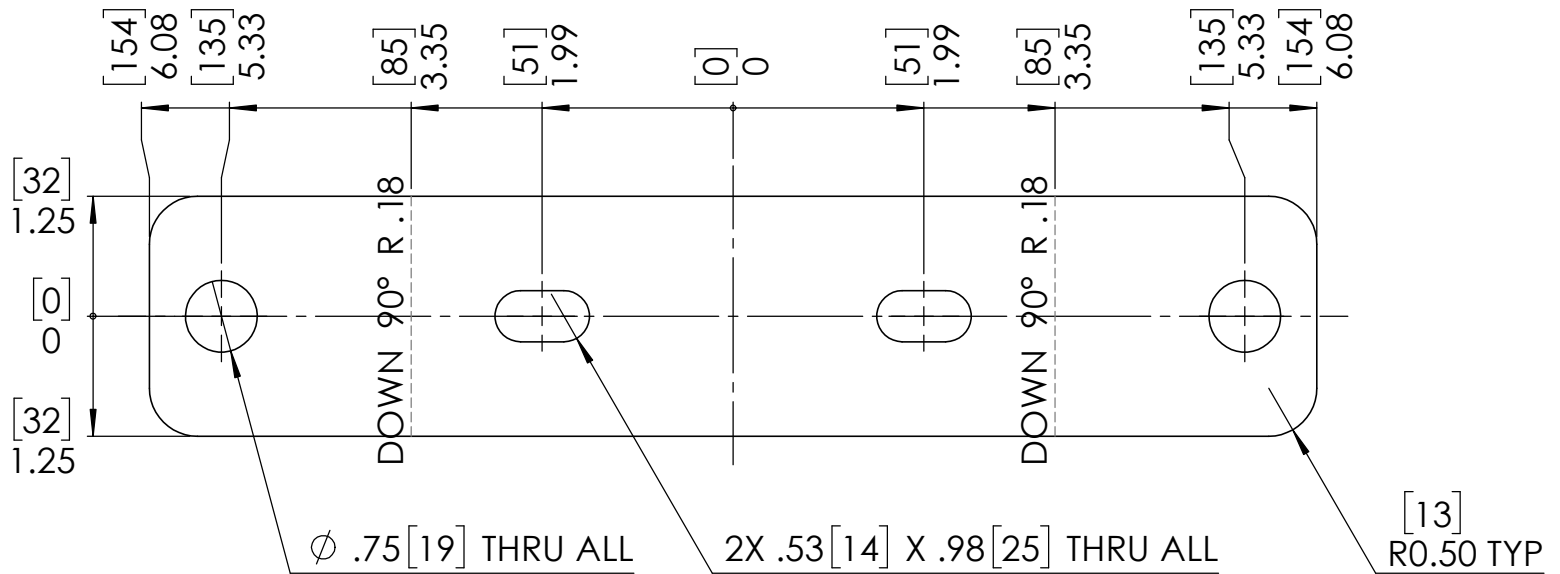
2X .53 [14] X .98 [25] THRU ALL

UNLESS OTHERWISE SPECIFIED:		NAME	DATE				
DIMENSIONS ARE IN INCHES [DIMENSIONS] ARE IN MM TOLERANCES:	DRAWN	EGS	4/29/2020				
.X ± .12" [3 mm] .XX ± .06" [1.5 mm] .XXX ± .03" [0.7 mm] Angular ± 1°	CHECKED			TITLE:			
INTERPRET GEOMETRIC TOLERANCING PER:	ENG APPR.			Rail Lock			
MATERIAL	MFG APPR.			SIZE	DWG. NO.	REV	
Mild Steel	Q.A.			A	GR-RHG-LCK	C	
FINISH	COMMENTS:	See Notes			SCALE: NTS	WEIGHT: 1.4 LBS	SHEET 12 OF 14
Yellow Powder Coat							

quotes@rhinorails.com | specs.rhinorails.com | 866-874-3385



RR-GR-RHG - Rail Hinge Gate



UNLESS OTHERWISE SPECIFIED:		NAME	DATE	
DIMENSIONS ARE IN INCHES [DIMENSIONS] ARE IN MM		DRAWN	EGS 4/29/2020	
TOLERANCES:		CHECKED		
.X ± .12" [3 mm]		ENG APPR.		
.XX ± .06" [1.5 mm]		MFG APPR.		
.XXX ± .03" [0.7 mm]		Q.A.		
Angular ± 1°		COMMENTS:		
INTERPRET GEOMETRIC TOLERANCING PER:		See Notes		
MATERIAL				
Mild Steel				
FINISH		SIZE	DWG. NO.	REV
Yellow Powder Coat		A	GR-RHG-LCK	C



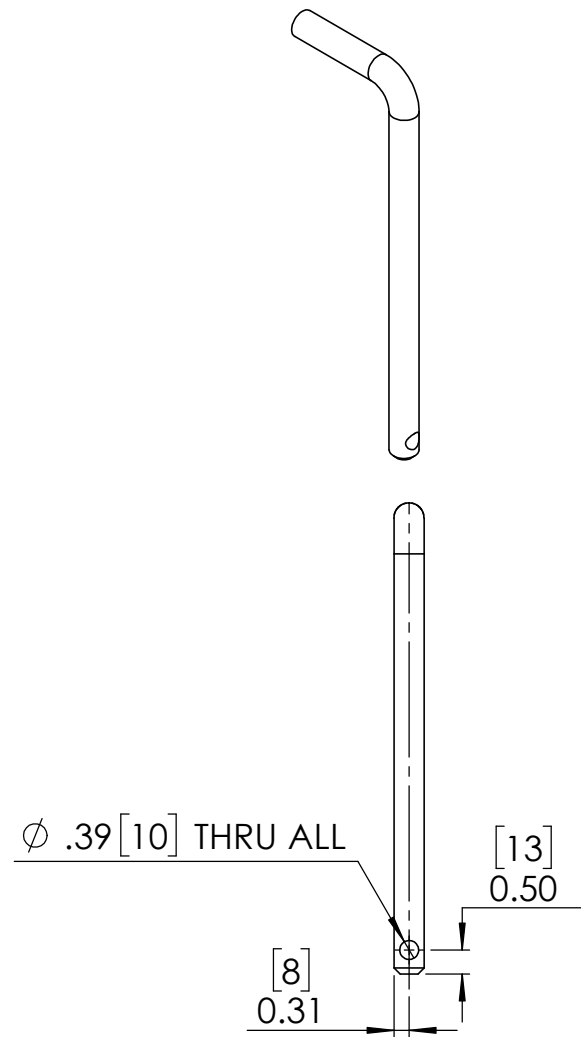
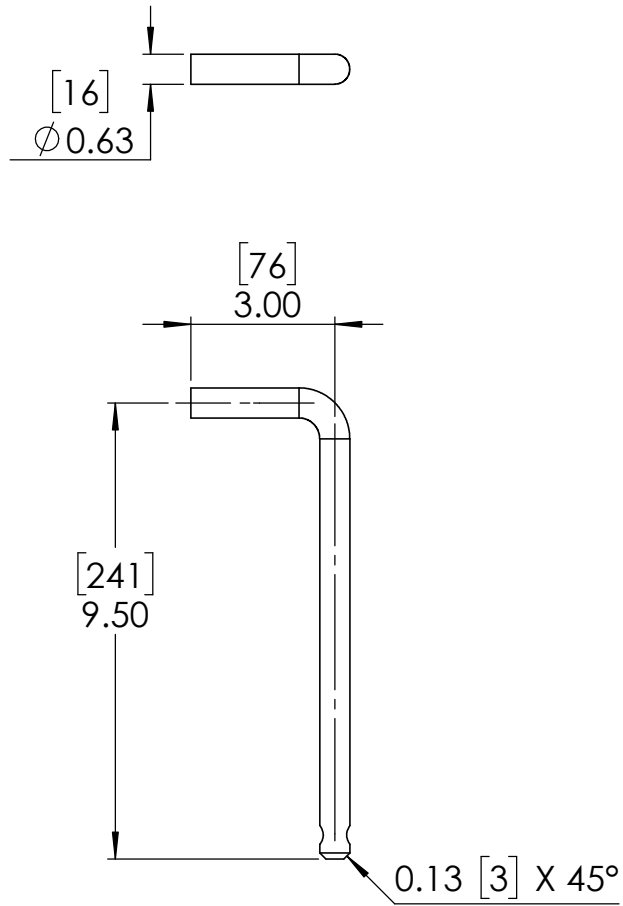
TITLE: Rail Lock


quotes@rhinorails.com | specs.rhinorails.com | 866-874-3385

SCALE: NTS | WEIGHT: 1.4 LBS | SHEET 13 OF 14



RR-GR-RHG - Rail Hinge Gate



UNLESS OTHERWISE SPECIFIED:	NAME	DATE		
DIMENSIONS ARE IN INCHES [DIMENSIONS] ARE IN MM TOLERANCES:	DRAWN	EGS 4/29/2020		
.X ± .12" [3 mm] .XX ± .06" [1.5 mm] .XXX ± .03" [0.7 mm] Angular ± 1°	CHECKED		Locking Pin	
INTERPRET GEOMETRIC TOLERANCING PER:	ENG APPR.			
MATERIAL Mild Steel	MFG APPR.		SIZE DWG. NO. REV	
FINISH Yellow Powder Coat	Q.A.		A GR-RHG-PIN C	
	COMMENTS:	See Notes	SCALE: NTS WEIGHT: 1.0 LBS SHEET 14 OF 14	

quotes@rhinorails.com | specs.rhinorails.com | 866-874-3385

