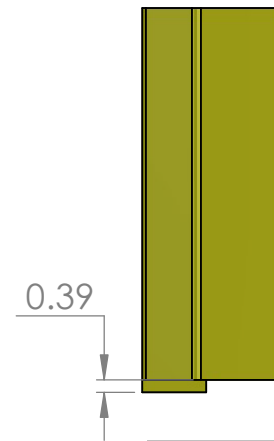
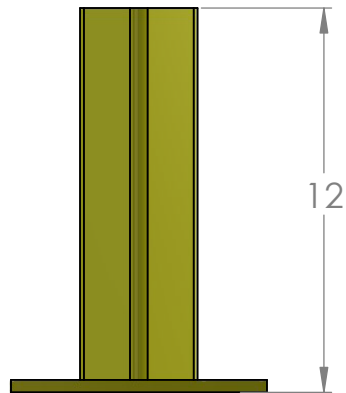
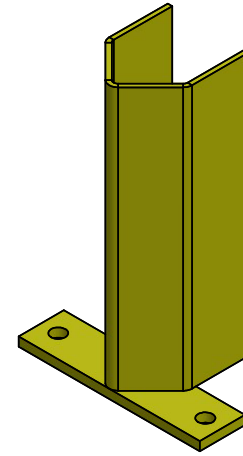
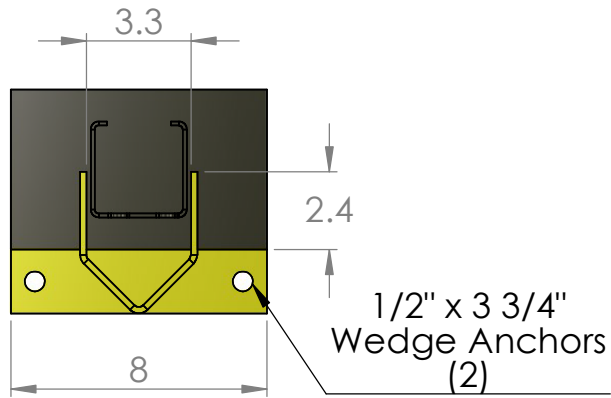


RR-P12-3R -12" Universal Post Protector



TITLE:
**12" Universal
Post Protector**

SIZE A	DWG. NO. RR-P12-3R	REV A
------------------	------------------------------	-----------------

SCALE: NTS | WEIGHT: 9.5 LBS | SHEET 1 OF 1

quotes@rhinorails.com | specs.rhinorails.com | 866-874-3385

