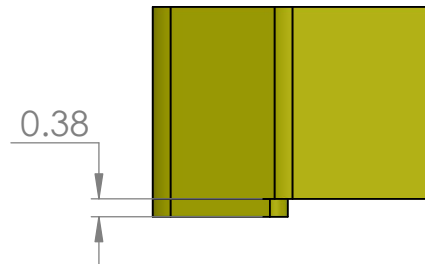
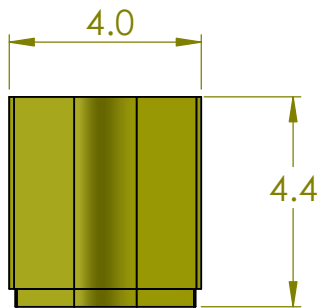
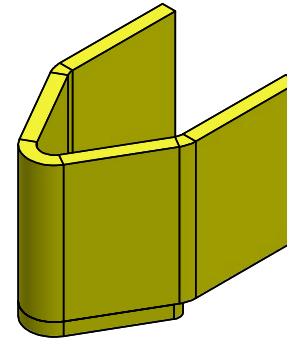
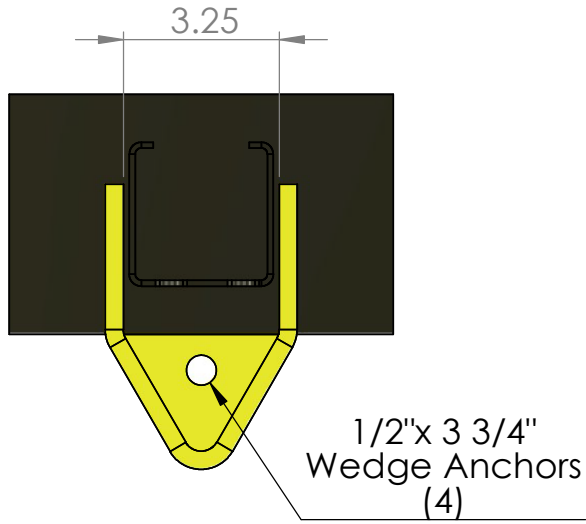


RR-SP3-HD - 3" V-Nose Guard



TITLE:

3" V-Nose
Guard

SIZE
A

DWG. NO.

RR-SP3-HD

REV
A

SCALE: NTS

WEIGHT: 6.1 LBS

SHEET 1 OF 1

quotes@rhinorails.com | specs.rhinorails.com | 866-874-3385

