



RACK PROTECTORS

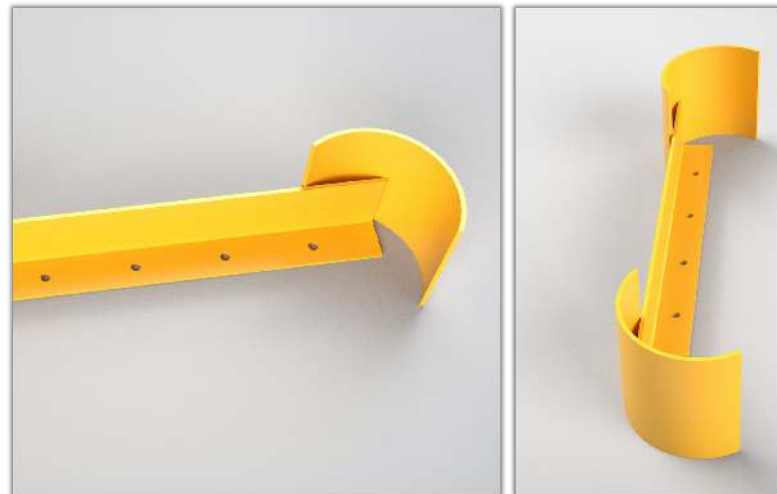
Rhino Rails® Rack Protectors protect uprights from powered and non-powered material handling equipment impacts. They are an inexpensive, yet effective tool to help avoid dangerous and costly racking damage. Rack protectors will extend the life of your racking system, as well as increase safety for your workers.

Features & Benefits

- Available in Heavy and Standard Duty to suit your needs and budget.
- Work with both standard and seismic baseplates
- Steel floor angles attach securely to floor with 4 or 5 wedge anchors depending on length (sold separately)
- Powder coated Rhino Rails yellow for high visibility
- Custom sizes available upon request

Specifications

- Item Numbers:
 - Heavy-Duty •RP-42LH-HD •RP-42RH-HD •RP-42-HD
 - RP-48LH-HD •RP-48RH-HD •RP-48-HD
 - Standard-Duty •RP-42LH-MD •RP-42RH-MD •RP-42-MD
 - RP-48LH-MD •RP-48RH-MD •RP-48-MD
- Material Thickness:
 - $\frac{3}{8}$ " (heavy-duty)
 - $\frac{1}{4}$ " (standard-duty)
- Standard Height: 12" tall ends; 6" x 4" floor angle
- Inside Width: 3.25"
- Anchor Size: $\frac{3}{4}$ " x 4.25" wedge anchor



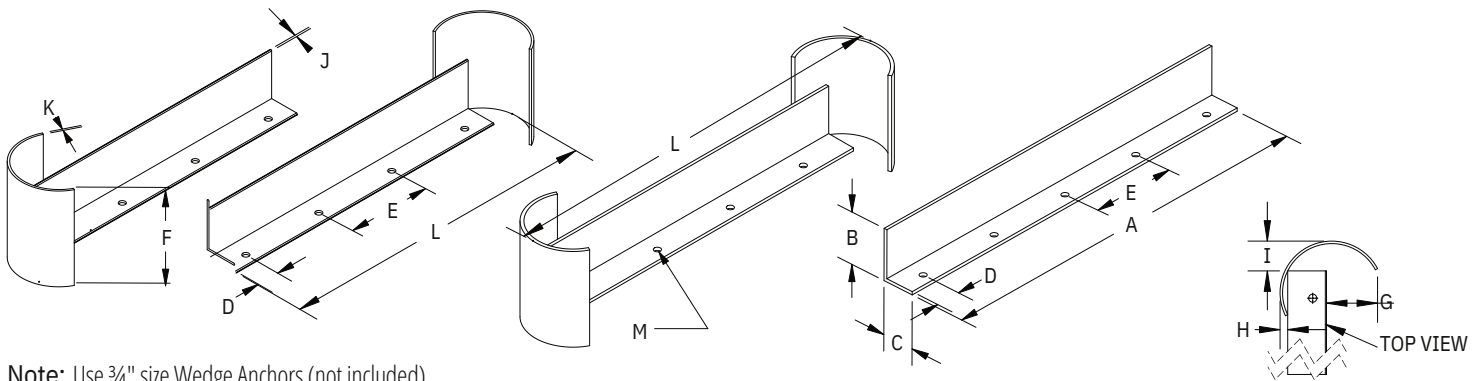
Double-End Rack Protector for Single Rows



Extender



RACK PROTECTOR DIMENSIONS



Note: Use 3/4" size Wedge Anchors (not included)

Dimensions (Inches)

Part	A Length of Extension	B Height of Leg	C Width of Leg	D End to Hole	E Hole to Hole	F Height of Curve	G Extension to Back of Curve	H Extension to Front of Curve	I Extension to Curve side	J Extension Thickness	K Curve Thickness	L Outside Overall Length	M Hole Diameter	Number of Holes	Curve Location
RP-42LH-MD	43	6.5	4	5.8	10.5	12	5	1	3	0.25	0.25	46	0.85	4	Left
RP-42RH-MD	43	6.5	4	5.8	10.5	12	5	1	3	0.25	0.25	46	0.85	4	Right
RP-48LH-MD	47.5	6.5	4	2.8	10.5	12	5	1	3	0.25	0.25	50.5	0.85	5	Left
RP-48RH-MD	47.5	6.5	4	2.8	10.5	12	5	1	3	0.25	0.25	50.5	0.85	5	Right
*RP-36LH-HD	37	6.5	4	2.8	10.5	12	5	1	3	0.4	0.4	40	0.85	4	Left
*RP-36RH-HD	37	6.5	4	2.8	10.5	12	5	1	3	0.4	0.4	40	0.85	4	Right
RP-42LH-HD	43	6.5	4	5.8	10.5	12	5	1	3	0.4	0.4	46	0.85	4	Left
RP-42RH-HD	43	6.5	4	5.8	10.5	12	5	1	3	0.4	0.4	46	0.85	4	Right
RP-42EX-HD	43	6.5	4	5.8	10.5	N/A	N/A	N/A	N/A	0.4	N/A	43	0.85	4	No Curve
RP-48LH-HD	47.5	6.5	4	2.8	10.5	12	5	1	3	0.4	0.4	50.5	0.85	5	Left
RP-48RH-HD	47.5	6.5	4	2.8	10.5	12	5	1	3	0.4	0.4	50.5	0.85	5	Right
RP-48EX-HD	47.5	6.5	4	2.8	10.5	N/A	N/A	N/A	N/A	0.4	N/A	47.5	0.85	5	No Curve
RP-62EX-HD	62	6.5	4	4.8	10.5	N/A	N/A	N/A	N/A	0.4	N/A	62	0.85	6	No Curve
*RP-36-HD	37	6.5	4	2.8	10.5	12	5	1	3	0.4	0.4	43	0.85	4	Both Sides
RP-42-HD	43	6.5	4	5.8	10.5	12	5	1	3	0.4	0.4	49	0.85	4	Both Sides
RP-48-HD	47.5	6.5	4	2.8	10.5	12	5	1	3	0.4	0.4	53.5	0.85	5	Both Sides
*RP-108-HD	109	6.5	4	7.4	10.5	12	5	1	3	0.4	0.4	115	0.85	10	Both Sides

*Non-stock size - production lead times will apply. Please contact for a quote.

Rack Protector Equipment Specification

To ensure proper protection consider the following:

- Measure the overall length of area that is to be protected.
- Is there a protruding object or other unusual configuration to measure? (i.e. going around corners)
- Is this a single or double end application? (Exposure to traffic is the key factor)
- Place protection equipment as close as possible in front of the area in need of protection while still providing an adequate barrier space to achieve proper installation.