



TRACK GUARD

Rhino Rails Track Guards are designed to protect overhead door tracking. Guards prevent damage and costly repairs to tracks caused by material handling equipment. Slant design eliminates a protruding point to keep workers safe. Product features highly visible yellow powder coat paint.

FEATURES AND BENEFITS

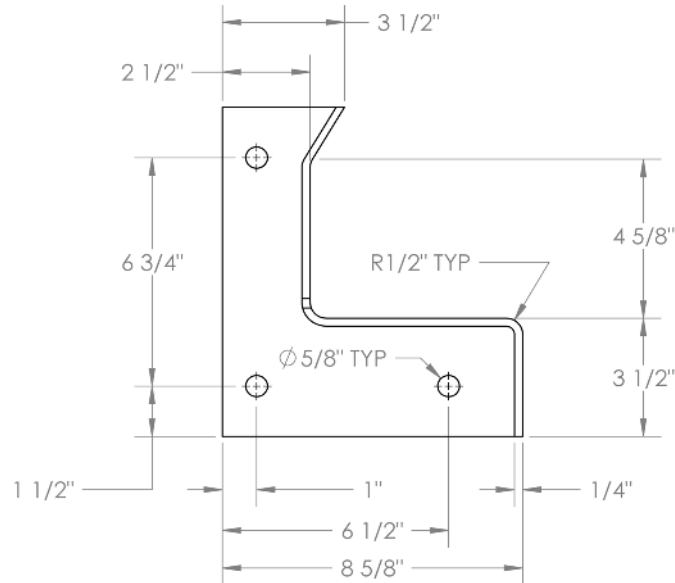
- Rhino Rails Track Guards help prevent damage to overhead door tracks more efficiently than conventional pipes embedded into the concrete floor.
- These steel protectors provide a low cost method of reducing damage to overhead door tracks hit by moving vehicles.
- Rhino Rails Track Guards fasten to the floor and to the wall and wrap around the overhead door track on two sides, closely fitting yet protecting the track from damage from collisions with forklifts or other moving vehicles.
- These heavy duty 1/4" thick steel protectors are easily mounted by securing to the concrete floor using three 1/2" diameter wedge anchors (included) and to the wall using four wall anchors (not included)
- Rhino Rails Track Guards do not interfere with dock operation and eliminate dock downtime and expensive repairs to track.
- Tapered top edge to eliminate pinch point.
- 48" standard height is offered with custom heights also available on special order.
- Rhino Rails Track Guards are painted in safety yellow with a hard glossy finish for a durable, attractive appearance.



48" Track Guard

GUARANTEE AND WARRANTY

Personal and professional customer service is offered on all Rhino Rails Post Protectors. Our Post Protection carries a one-year limited warranty on all materials and workmanship.



Model Number	Description	Weight(Lbs.)
TG-24LH	24" High Left Track Guard	30
TG-24RH	24" High Right Track Guard	30
TG-48LH	48" High Left Track Guard	53
TG-48RH	48" High Right Track Guard	53

Custom protection is our specialty. If your requirements are not listed in the above specifications, please contact us. Our design team will develop a quick and economical solution to your protection needs.